

# BT3-35 Transformer Tap Bracket

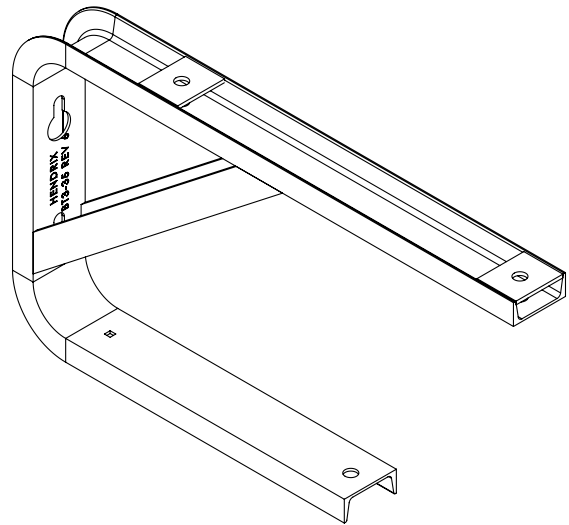


## Description:

The BT3-35 is a transformer tap bracket used with Hendrix Spacer Cable Systems. The bracket is formed using 4.0" channel and includes welded gussets for maximum strength. The bracket is hot dip galvanized after fabrication.

## Benefits:

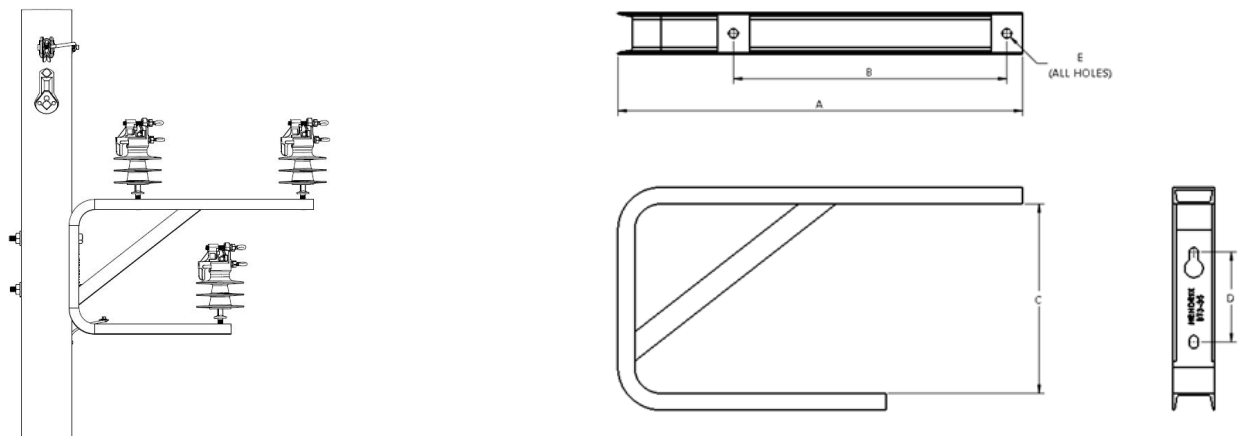
- Increased phase separation provides more working clearance and facilitates stripping the phase conductors for tap connections
- Maintains the triangular configuration of the phase conductors
- Reduces movement of phase conductors due to wind thereby reducing the stress on transformer tap wires
- 8.0" mounting hole spacing conforms to standard pre-drilled poles for ease of installation
- Ground Lug Provision



## Application:

The BT3-35 tap bracket can be used on any structure where the line angle does not exceed 60° and increased phase separation is desirable (provides more spacing than the BA3-15 and BA3-35 brackets). This bracket is designed to be used with Hendrix Tie Top polyethylene insulators and covered tie wire, or Vise-Top polyethylene insulators. Pole mounting is accomplished using thru-bolts (not included).

Part Number	System Voltage	Line Angle	Conductor Size	2IP Insulator Plate
BT3-35	15kV	7° - 60°	All	Not Required
	35kV and below	7° - 44°	All	Not Required
		45° - 60° 45° - 60°	Below 336.4 336.4 and larger	Not Required Required



Part Number	System Voltage	Dimensions (in)					Weight (lbs)	Material
		A	B	C	D	E		
BT3-35	35kV and below	38.5	26	18	8	13/16	42	HDG ASTM A-36 Structural Steel