

# BA6-15 Angle Bracket



## Description:

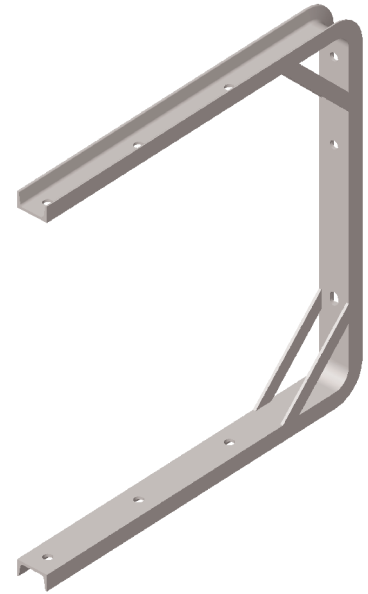
The BA6-15 is a double circuit angle bracket used with Hendrix Spacer Cable Systems. The bracket is formed using 3.0" channel and includes welded gussets for maximum strength. The bracket is hot dip galvanized after fabrication.

## Benefits:

- Maintains close spacing of conductors
- Space saving alternative to using two single circuit brackets
- Ground Lug Provision

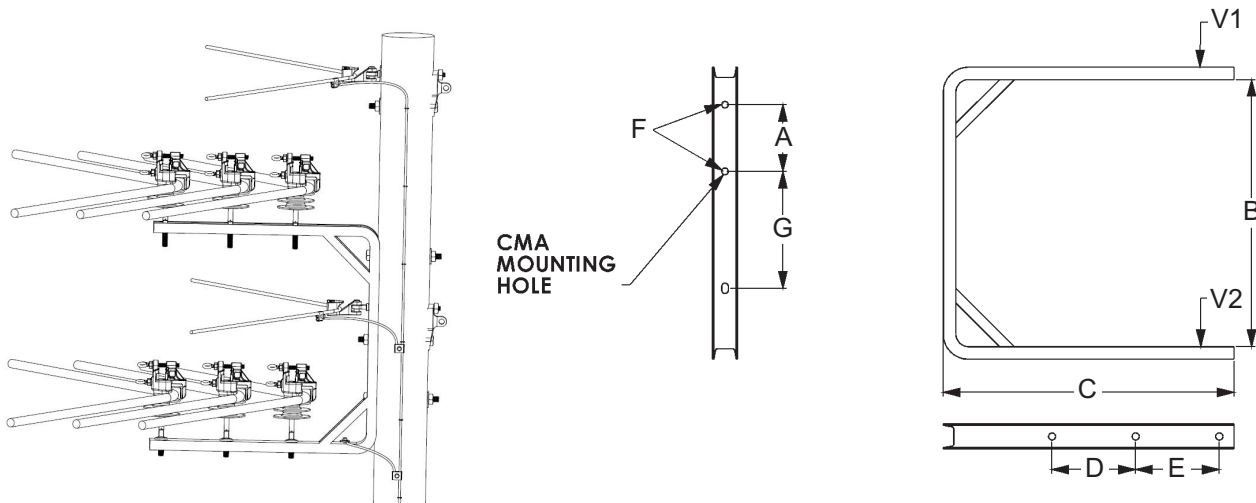
## Application:

The BA6-15 may be used on voltages through 35kV. This bracket is designed to be used with Hendrix Tie Top polyethylene insulators and covered tie wire, or Vise-Top polyethylene insulators with 2IP plate, if required. The messenger mounting hole can be used in conjunction with CMA-1 or CMA-2 messenger clamps on angles from 7° - 60°. Pole mounting is accomplished using thru-bolts (not included).



Part Number	System Voltage	Line Angle	Conductor Size Limitation	2IP Insulator Plate Requirement
BA6-15	15kV	7° - 60°	All	Not Required
		61° - 90°	BA6-15 not recommended	
	25kV	7° - 44°	All	Not Required
		45° - 60°	≥ 336kcm	Required
		61° - 90°	BA6-15 not recommended	
	35kV	7° - 44°	All	Not Required
		45° - 60°	≥ 336kcm	Required
		61° - 90°	BA6-15 not recommended	

Note: For line angles >60°, Hendrix recommends using two BA3-15 or BA3-35 brackets.



Part Number	System Voltage	Dimensions (in)							Min. Yield Load (lbs)		Weight (lbs)	Material
		A	B	C	D	E	F	G	V1	V2		
BA6-15	35kV and below	8	32	34.75	10	10	13/16	14	900	900	42.0	HDG ASTM A-36 Structural Steel