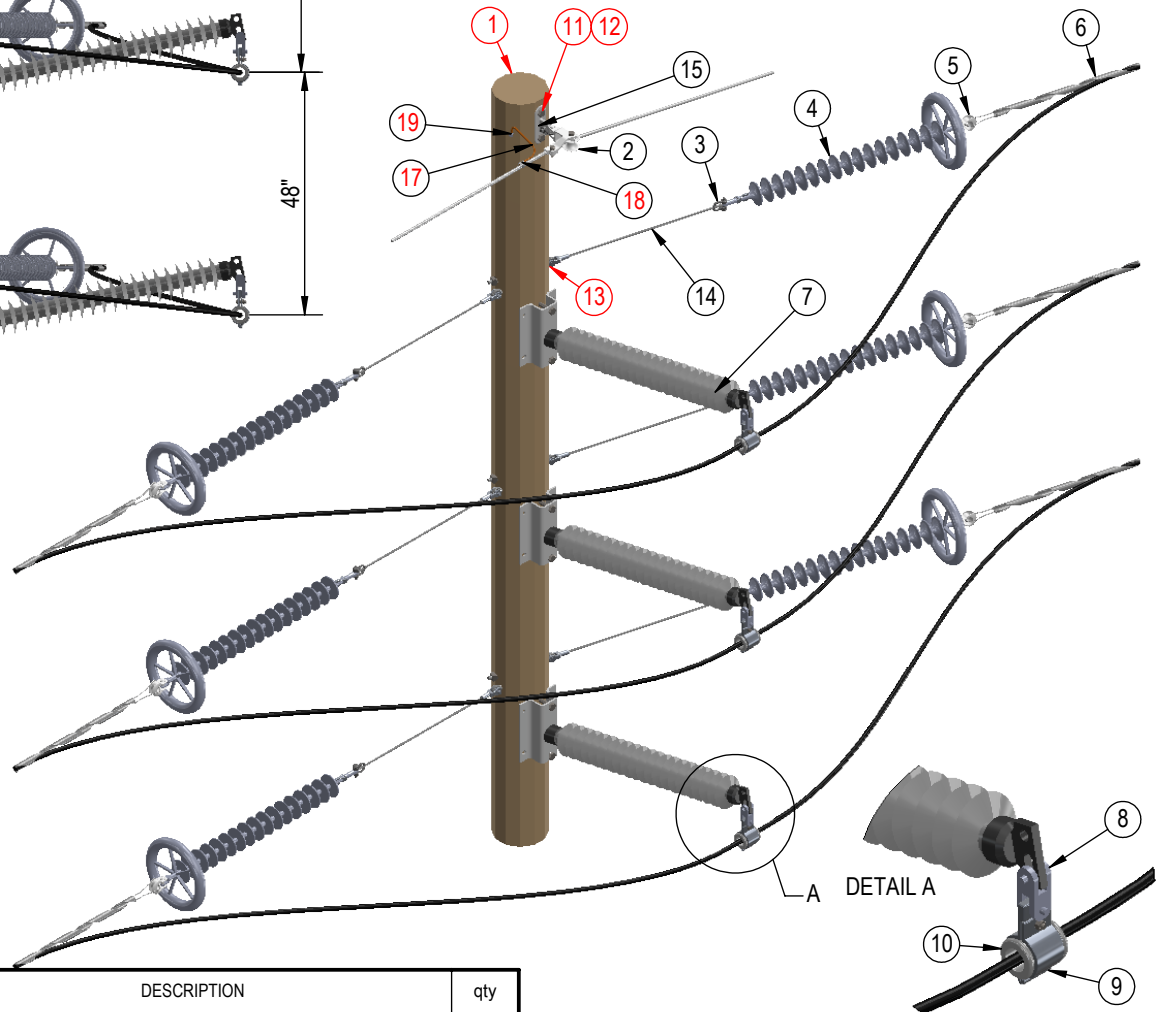


DETAIL B



DETAIL A

ITEM	HENDRIX PART NUMBER	DESCRIPTION	qty
1	POLE-XX	POLE (TYPE, CLASS & LENGTH AS REQ.)	1
2	PSAC-01	CLAMP - PERMANENT STRINGING, ANGLE SUSPENSION W/ SHACKLE	1
3	SC	CLEVIS - SHACKLE	6
4	DEINS115	INSULATOR, POLYMER DEAD END, 115KV	6
5	TC	CLEVIS - THIMBLE	6
6	CG-0000	PREFORMED GRIP, CONDUCTORS, COATED (SIZE & KIND AS REQ.)	6
7	LP-INS-115M	INSULATOR, LINE-POST, 115KV, TYPE 58	3
8	RCC-HV	ROTATED CLEVIS/CLEVIS, 0.625", 30000LBS	3
9	MTC-HV	CLAMP, HIGH VOLTAGE, 115KV	3
10	TIHV-0000	INSERT, TRUNNION, HIGH VOLTAGE (SIZE AS REQ)	6
11	MBLT7/8-XX	BOLT, MACHINE, 7/8" X REQ. LENGTH	8
12	SNUT7/8-XX	SQUARE NUT, 7/8"	14
13	EBLT7/8-XX	BOLT, EYE, 7/8" X REQ. LENGTH	6
14	GUYINSULATOR-10	STRAIN INSULATOR, GUY, CLEVIS-THIMBLE EYE, 36" LNG, 15,000 LB	6
15	DEAD-END-TEE-01	DEAD-END TEE	1
16	WSH7/8-XX	WASHER, LOCK, 7/8"	14
17	GNDWIRE-XX	GROUND WIRE, COPPER, #6 AWG(MIN) (LENGTH AS REQ)	AS REQ
18	CONNECTOR-XX	GROUND CONNECTOR - PARALLEL GROOVE	1
19	GROUNDPOST-01	GROUND CONNECTOR - POST TYPE	1

RED ITEMS ARE NOT SUPPLIED BY HENDRIX



AERIAL CABLE SYSTEMS

53 OLD WILTON RD. ■ MILFORD, NH 03055 ■ (603) 673-2040

DESIGN PARAMETERS:

KV CLASS: 115KV

LINE ANGLE: 7-20°

REVISION: 1

115KV, 3-PHASE PRIMARY  
TANGENT  
VERTICAL CONFIGURATION

DRAWING NO.:  
AC1502-06