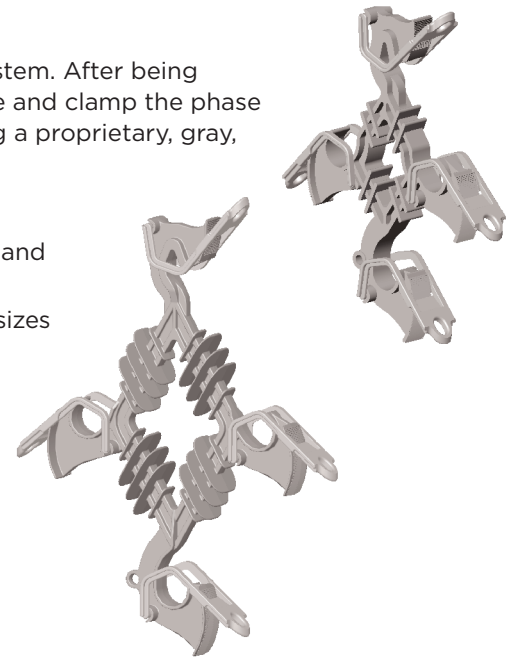


Description:

The RTL Spacers are designed for use in the Hendrix Spacer Cable System. After being installed and clamped to the messenger, the spacers support, separate and clamp the phase conductors in a triangular configuration. The spacers are molded using a proprietary, gray, track resistant, UV resistant, high density polyethylene.

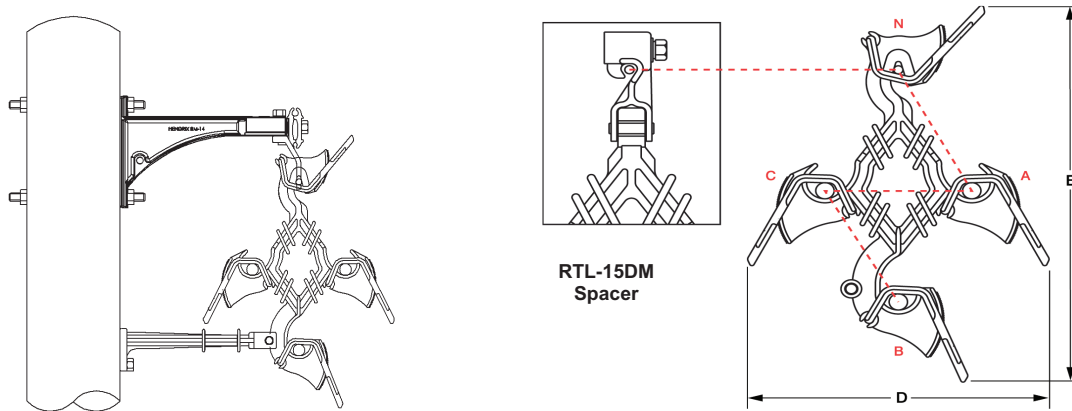
Benefits:

- Quick, easy installation and removal. Integral clamps for conductors and messenger, no ring ties required
- Clamp design accommodates full range of conductor and messenger sizes
- Wedge-shaped messenger hook provides maximum grip
- Optimum dielectric compatibility with Hendrix Spacer Cable
- Excellent weather washing characteristics
- Long leakage distance resists flashovers
- Close phase spacing minimizes voltage drop
- Unique design provides high short circuit strength
- Highly resistant to shock/impact/rifle fire
- Open diamond design provides neat appearance
- Can be installed with hot line tools



Application:

The RTL-15 is designed for use on distribution systems rated 5kV through 15kV. The RTL-46 is designed for use on distribution systems through 46kV. The RTL-GO95 can be used at any voltage through 46kV. It provides greater spacing for line crews that desire extra work area at tap locations or for applications where extra leakage distance is desired. It also meets the California and Hawaii GO95 spacing requirements for typical distribution system voltages. All spacer designs include a hole for attachment of a BAS AntiSway Bracket, if required, installation of the spacers should be made in accordance with Hendrix Installation Instructions. Spacers are installed at 30 foot intervals. For steep grade applications (greater than 20 degrees), specify the RTL-15DM or RTL-46DM or the RTL-GO95DM which is equipped with a metal clamp for fastening to the messenger. The clamp has a swivel which allows the spacer to hang vertically from the angled messenger.



Part Number*	Dimensions (in)		Conductor Spacing (in)			Min. Leakage Distance (in)	Messenger Range (in)	Cable Range (in)	Max. System Voltage (kV)	Short Circuit Rating (kA)	Weight (lbs)
	D	E	AN	AC	BC						
RTL-15	16.5	23.5	8.5	8	8	10.75	.375 - .750	.438 - 2.00	15	13.5	2.5
RTL-46	20.5	29	12	11.5	11.5	17.5	.375 - .750	.438 - 2.00	46	16**	3.8
RTL-GO95	27.125	39.25	18	18	18	28.5	.375 - .750	.438 - 2.00	46	20**	5.5

*Specify RTL-15DM, RTL-46DM or RTL-GO95DM Spacer for steep grade or angle applications (greater than 20°)

**Calculated value