

TS-1 Tangent Bracket Stirrup MC-2 Messenger Clamp



Description:

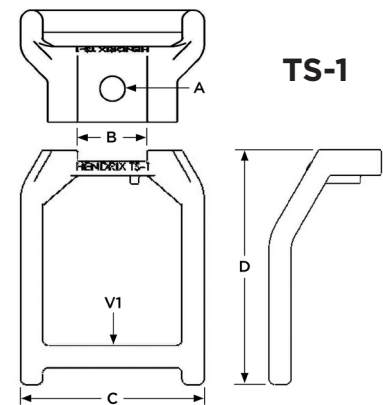
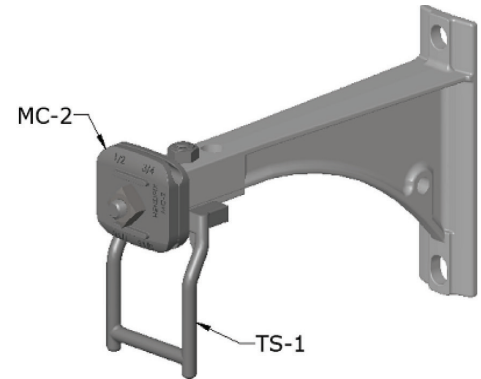
The TS-1 Tangent Bracket Stirrup is an accessory that is used to support a spacer directly beneath a tangent bracket in Hendrix Spacer Cable Systems. The stirrup is cast ductile iron that is hot dip galvanized after fabrication.

Benefit:

When used in conjunction with the Hendrix BAS-14F or BAS-24F anti-sway bracket, the stirrup helps eliminate undesirable movement of the spacer cable system at transformer tap poles.

Application:

The TS-1 stirrup can be used with any Hendrix tangent bracket. The stirrup should be attached to the tangent bracket using the hole closest to the end of the tangent bracket using the hardware that is supplied with the TS-1. If the Roll-By installation method is used, the TS-1 stirrup should be attached as the spacers are being installed.



MC-2 Messenger Clamp

Description:

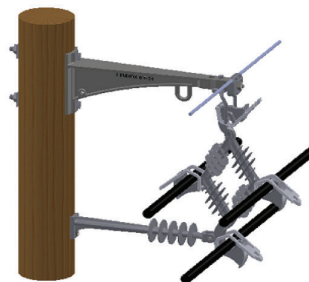
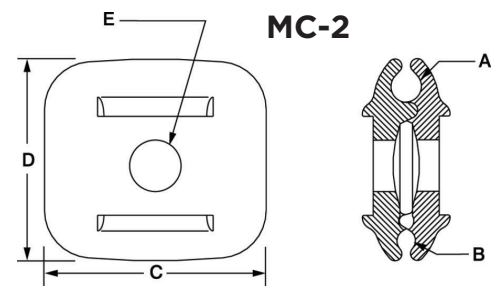
The MC-2 Messenger Clamp is used on tangent brackets in Hendrix Spacer Cable Systems. The clamp is cast ductile iron and is hot dip galvanized after fabrication.

Benefits:

- Allows the PBR-3 roll-by blocks and TM messenger trolley to roll over the tangent brackets for smooth, uninterrupted installation of the Spacer Cable System
- Two clamping grooves allow use with a broad range of messenger sizes

Application:

The MC-2 messenger clamp and mounting hardware are supplied with each tangent bracket. Each casting is marked with the size range for the two clamping grooves. The appropriate groove should be used for the messenger selected to ensure that adequate clamping force is maintained.



Part Number	Dimensions (in)					Min. Ultimate Load (lbs) V1	Weight (lbs)	Material
	A	B	C	D	E			
TS-1	$\frac{5}{16}$	$1 \frac{1}{16}$	3.5	4.5	—	3,100	.78	HDG Ductile Iron
MC-2	$\frac{1}{2} - \frac{3}{4}$	$\frac{5}{16} - \frac{7}{16}$	3.5	3.1875	$\frac{13}{16}$	—	2.2	HDG Ductile Iron