

PBR-3-DR Roll-By Block, QRS-02 Messenger Trolley, TL-30 Tag Line



Description:

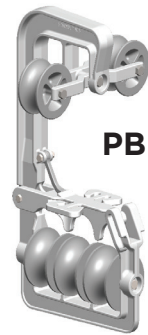
The PBR-3-DR, QRS-02 and TL-30 are the pieces of installation equipment required to install Hendrix Spacer Cable Systems using the Roll-By Installation Method. The PBR-3-DR has a cast aluminum frame, a dual aluminum messenger roller assembly and polymer conductor sheaves. The QRS-02 has a cast stainless steel frame with a detachable ductile iron sled. The TL-30 Tag Line is a 30 ft. polyester rope that is supplied for easy attachment to the PBR-3-DR Roll-By blocks.

Benefits:

- Permits the installation of all three phase conductors simultaneously
- Compatible with Hendrix “BM” series tangent brackets permitting continuous uninterrupted pulling past tangent structures
- Phase conductors are supported every thirty feet during installation, dramatically reducing sag between poles. Ideal for installations where the Hendrix Spacer Cable circuit is being built over an existing distribution circuit and for circuits that cross heavily traveled roads
- Obtaining proper phase conductor sag is quick and easy
- Simplifies the location of Hendrix spacers during the final stage of installation
- The QRS-02 keeps the conductor separated for better alignment with the PBR-3-DR Roll-By blocks
- The QRS-02 is detachable and is designed to pass through a three sheave block.

Application:

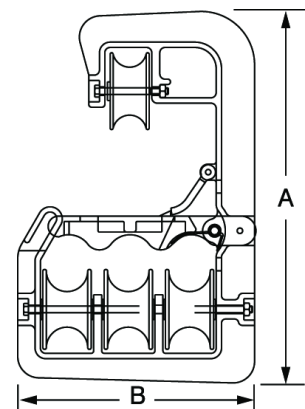
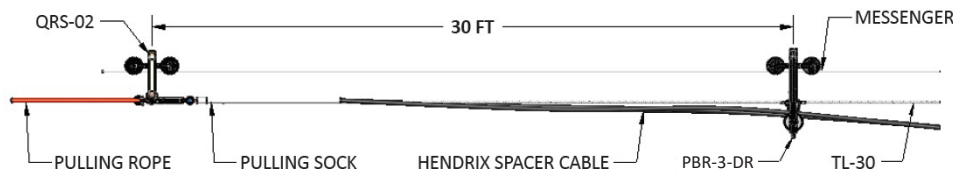
A detailed Installation guide for the roll-by method is available from Hendrix specifying PBR-3-DR Roll-By Blocks and TL-30 Tag Lines for an installation, the required number of each is equal to the longest pulling section in feet divided by thirty.



PBR-3-DR



QRS-02



Part Number	Dimensions (in)		Max. Conductor Diameter (in)	Weight (lbs)	Material
	A	B			
PBR-3-DR	19.5	11.125	2	9.5	Cast Aluminum
QRS-02	33.19	6.88	—	37.0	AISI 304 SS
TL-30	See description above			1.2	Polyester Rope