

# PAS-1 Angle Stringing Block



## Description:

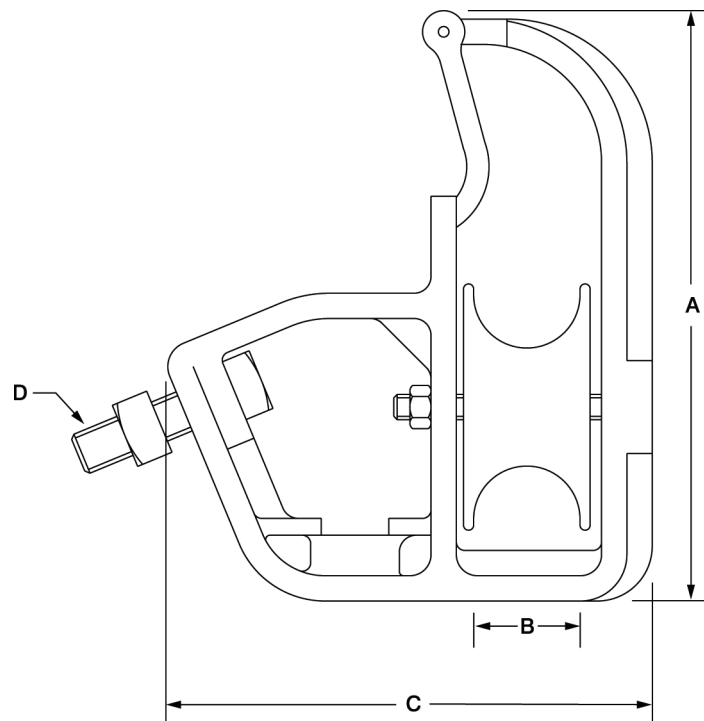
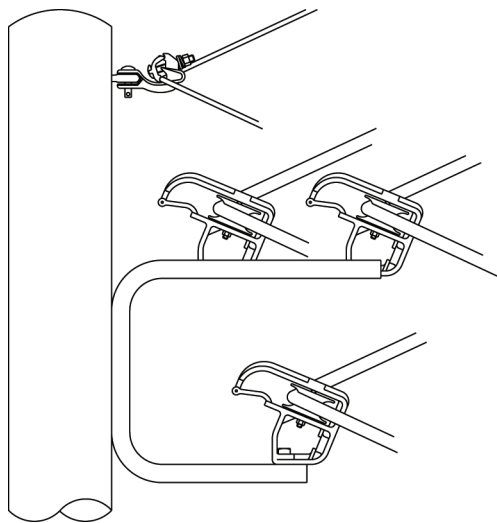
The PAS-1 is a single sheave stringing block used to pull phase conductors through angles when installing Hendrix Spacer Cable Systems using the Roll-By installation method. It has a cast aluminum frame and roller. The hardware needed to attach the PAS-1 to an angle bracket is included.

## Benefits:

- Can be used to pull conductors through angles up to 90°
- Conductors can be sagged while in the blocks
- Latch keeps conductors from slipping out of the blocks
- Positions the conductors for easy replacement with pins and insulators
- May be positioned vertically for stringing single conductors on crossarms

## Application:

The PAS-1 is intended for low tension pulling of the phase conductors. The PAS-1 may be used with any of the Hendrix angle brackets and will accommodate cable diameter up to 1.625". Two PAS-1 blocks per phase should be used wherever a 2IP Double Insulator Plate is required.



Part Number	Dimensions (in)				Weight (lbs)	Material
	A	B	C	D		
PAS-1	8 5/8	1 1/16	7 3/16	5/8-11unc	2.0	Cast Aluminum