

DEINS15, DEINS25, DEINS35 Polymer Dead-end Insulators



Description:

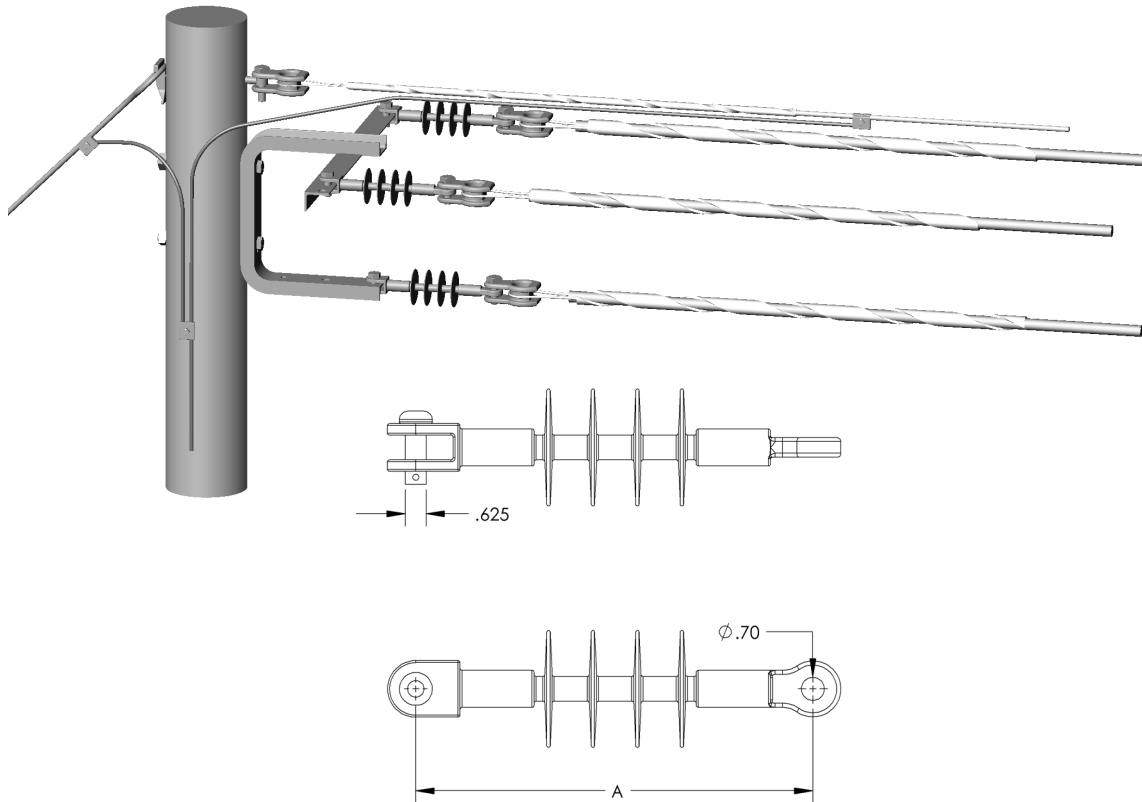
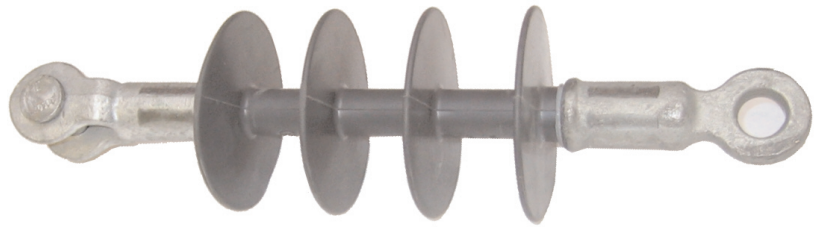
Dead-end insulators consist of a fiberglass core with a polymeric sheath and weathersheds. End fittings are galvanized steel. Insulators are available for 15kV through 35kV systems.

Benefits:

- Lightweight
- Unbreakable
- Vandal resistant
- Excellent weatherability

Application:

Polymer dead-end insulators are used to electrically isolate the phase conductors from ground. They are suitable for use on Spacer Cable or Tree Wire Systems. The use of a shackle clevis is recommended when attaching dead-end insulators to Hendrix dead-end brackets.



Part Number	System Voltage	Length "A" (in)	Leakage Distance (in)	Rated Tensile Load (lbs)	Low Frequency Flashover (kV)		Critical Impulse Flashover (kV)	
					Dry	Wet	Positive	Negative
DEINS15	15kV	12.5	16.0	7,500	110	75	140	160
DEINS25	25kV	18.75	31.0	7,500	150	130	260	280
DEINS35	35kV	19.63	33.0	7,500	200	160	325	360