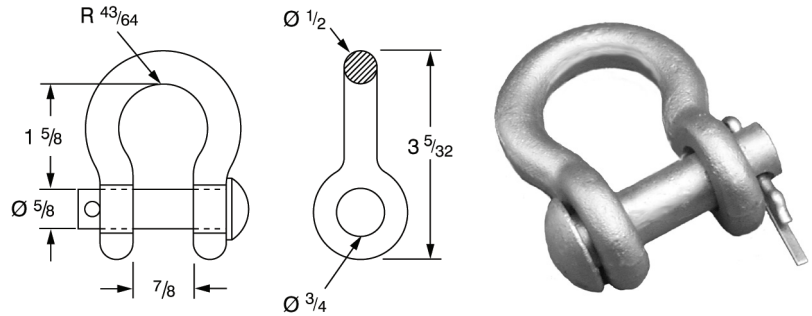


## SC Shackle Clevis

### Description:

The Hendrix SC Shackle Clevis is used for attaching dead-end insulators to Hendrix dead-end brackets. It is made of hot dip galvanized steel.

Part Number	Weight (lbs)	Min. Ultimate Load (lbs)
SC	0.92	20,000

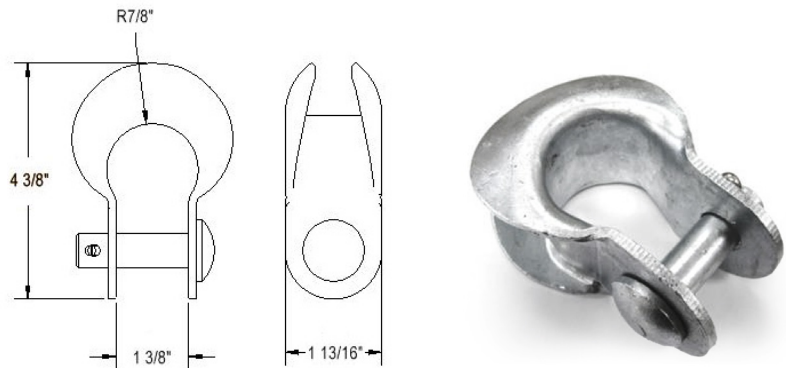


## TC Thimble Clevis

### Description:

The Hendrix TC Thimble Clevis is used on the looped end of preformed conductor and messenger grips in order to evenly distribute the mechanical stress. It is made of galvanized pressed steel. When messenger tension, plus applicable safety factors, exceed 2,500 lbs., the Hendrix HDTC Thimble Clevis must be used.

Part Number	Weight (lbs)	Safe Working Load (lbs)
TC	1.1	2,500



## HDTC Heavy Duty Thimble Clevis

### Description:

The Hendrix HDTC Heavy Duty Thimble Clevis is used on the looped end of preformed messenger grips in order to evenly distribute the mechanical stress. It is made of galvanized steel.

Part Number	Weight (lbs)	Min. Ultimate Load (lbs)
HDTC	2.6	40,000

