

# CMC-2 Underarm Messenger Clamp



## Description:

The CMC-2 Underarm Messenger Clamp is used with Hendrix Type BM tangent brackets. It is made of cast aluminum-bronze and includes the MC-2 messenger clamp with bolt.

## Benefits:

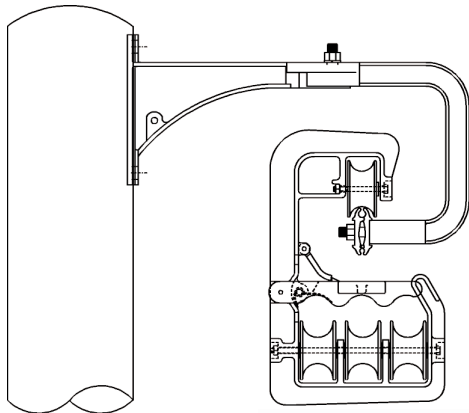
- Saves on installation labor by allowing PBR-3-DR Roll-By Blocks to pass pole when circuit changes pole sides.
- Compatible with Hendrix Type BM tangent brackets.
- The CMC-2 may be secured to a crossarm for underarm installations. clearance problems when over-building existing utilities and at road crossings

## Application:

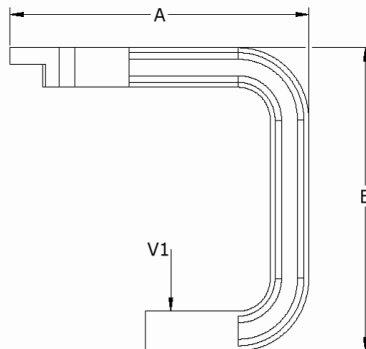
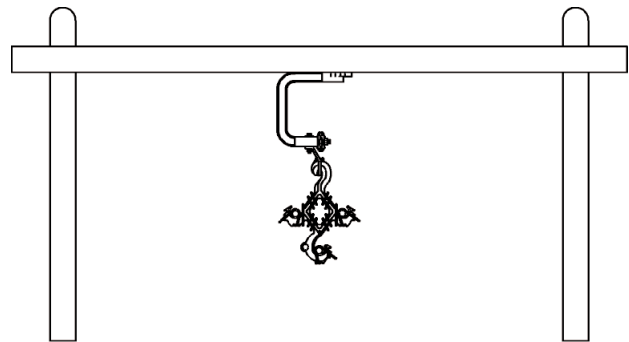
The CMC-2 is used for installation of conductors at tangent poles when the circuit changes pole sides. It is used with tangent brackets to allow the messenger trolley and roll-by blocks to pass the pole and is attached to the end of Hendrix tangent brackets with a 5/8 inch bolt. The messenger is secured with the included MC-2 messenger clamp. The CMC-2 should be removed after installation and the messenger secured directly on the BM tangent bracket. The CMC-2 may also serve as a permanent support bracket for underarm spacer cable installations.



### Installation Tool



### Underarm Bracket Application



Part Number	Dimensions (in)		Weight (lbs)	Min. Ultimate Load (lbs) V1 (vertical)	Material
	A	B			
CMC-2	11 1/2	11 1/2	10.0	4,000	Alum. Bronze