

2IP Double Insulator Plate



Description:

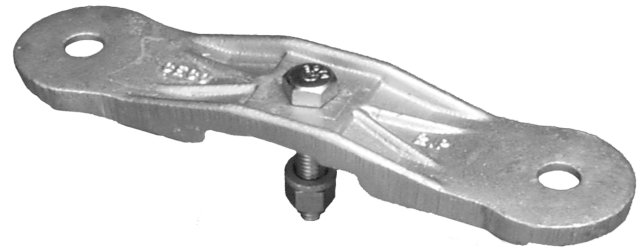
The 2IP Double Insulator Plate is an accessory that allows two Hendrix HPI polyethylene insulators to be used at each phase position on all Hendrix angle brackets. The 2IP is cast ductile iron that is hot dip galvanized after fabrication.

Benefits:

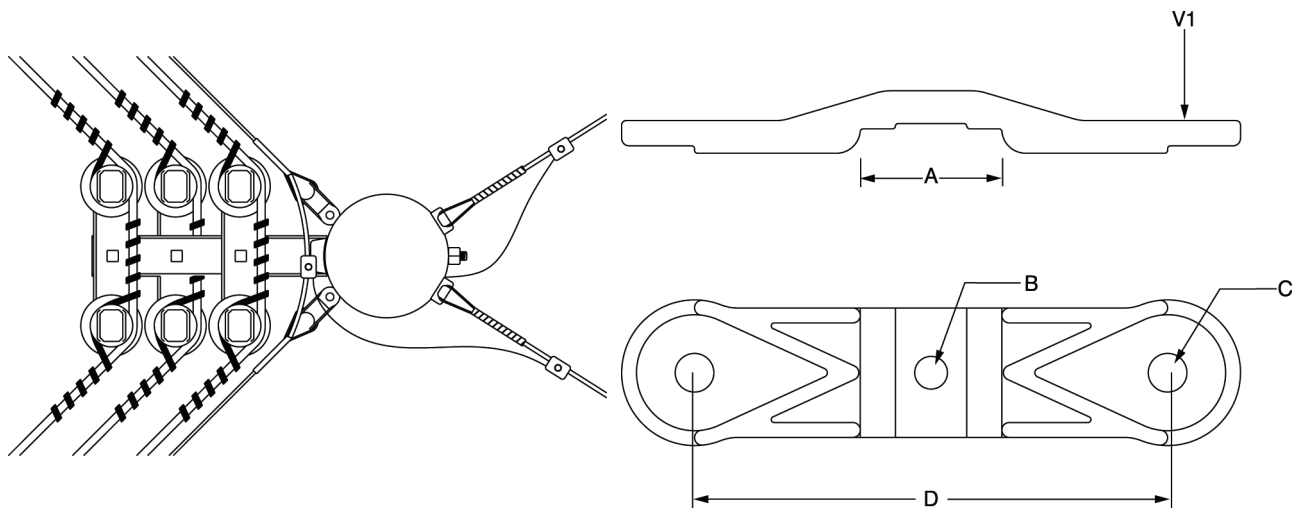
- Provides an increased phase conductor bend radius.
- Divides the mechanical load of large angles between two insulator pins.

Application:

Each 2IP plate is furnished with the required hardware for mounting on all Hendrix angle brackets. Compatible with 3" or 4" wide channel.



Part Number	System Voltage	Line Angle	Conductor Size	2IP Insulator Plate
2IP	15kV	7° - 60°	All	Not Required
		61° - 90°	All	Required
	25/35kV	7° - 44°	All	Not Required
		45° - 60°	Below 336.4	Not Required
		45° - 60°	336.4 and larger	Required
		61° - 90°	All	Required



Part Number	Dimensions (in)				Min. Ultimate Load V1 (lbs)	Weight (lbs)	Material
	A	B	C	D			
2IP	3.125	1 ¹ / ₁₆	1 ¹ / ₁₆	10	1,750	3.9	HDG Ductile Iron