

## Description

Designed for 69kV transmission voltage, the RTL-69DM-01 is a three phase spacer used in Hendrix Spacer Cable Systems. Mounted on a messenger wire, the RTL-69DM-01 will support and separate the messenger and phase conductors in a diamond configuration. The RTL-69DM-01 includes a metal suspension clamp that fastens on the messenger and is a pivot point to hang a spacer vertically. The RTL-69DM-01 uses ratcheting clamps to secure the conductor. Hendrix spacers are molded using a proprietary gray track resistant and UV resistant high density polyethylene material. The horizontal arm of this spacer is reinforced with a fiber glass rod to improve its mechanical strength.

## Benefits

- ◆ Provides high strength and flexibility under dynamic loading
- ◆ Integral ratcheting clamps secure our full range of phase conductor sizes
- ◆ Metal clamp for secure fastening to the messenger
- ◆ Optimum dielectric compatibility with Hendrix Spacer Cable
- ◆ Excellent weather washing characteristics
- ◆ Long leakage distance resists flashovers
- ◆ Compact phase spacing minimizes voltage drop
- ◆ Highly resistant to shock/impact/rifle fire
- ◆ Molded from proprietary gray track resistant and UV resistant high density polyethylene material

## Application

The RTL-69DM-01 is used in three phase transmission systems rated up to and including 69kV, phase to phase. Mount spacers at 30 foot intervals. The spacer is secured to the messenger by tightening the metal suspension clamp bolt. Fasten the conductor with the ratcheting clamps.

# RTL-69DM-01

## Technical Specifications

### Electrical Values

Minimum Leakage Distance (in): 80  
Maximum System Voltage (kV): 69  
Short Circuit Rating (kA): 30\*

### Dimensions

Max. Messenger Size (in): 1.0"  
Max. Conductor Size (in): 2.25  
Overall Dimensions (in): 65-1/4 x 43-1/2 x 5

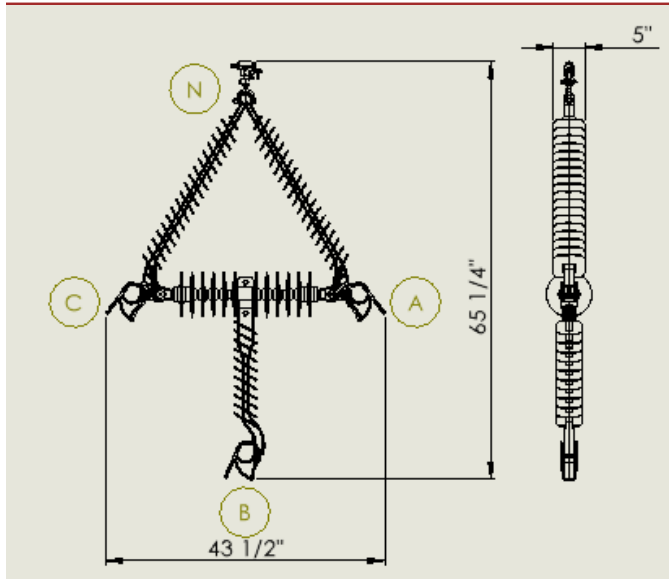
♦ \*Calculated values for short circuit rating

### Other

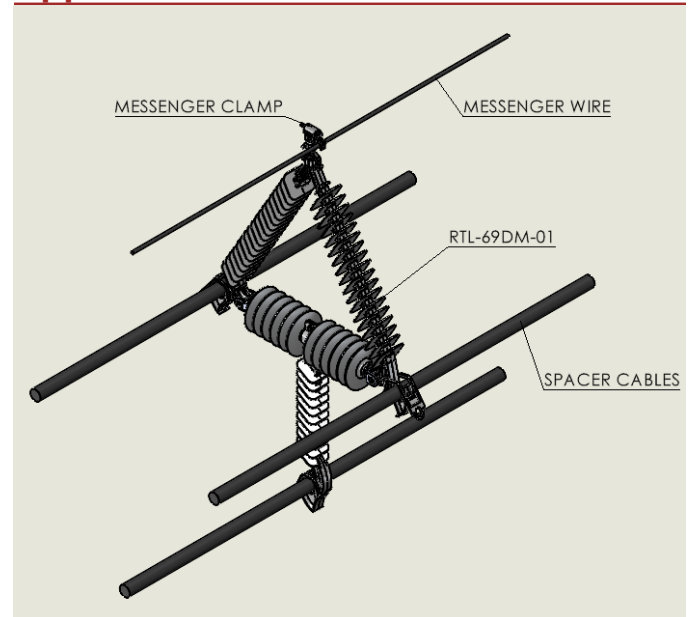
Weight (lbs): 21.4  
Material: High Density Polyethylene

## Additional Information

### Dimensions



### Application



Catalog No	Phase Spacing (in)			
	AN	AC	BC	BN
RTL-69DM-01	39	35-1/2	30-1/2	59-1/2

Rxx