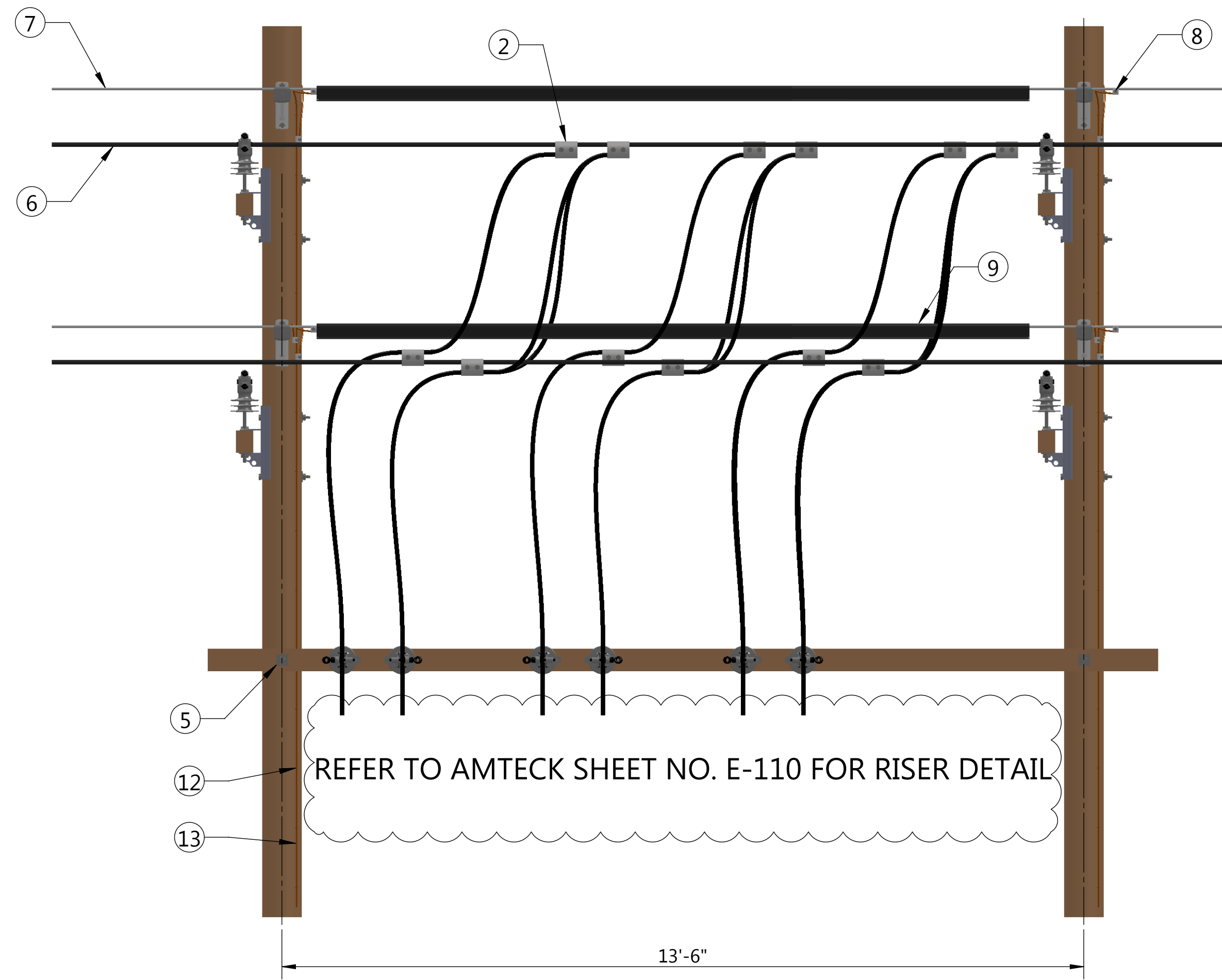
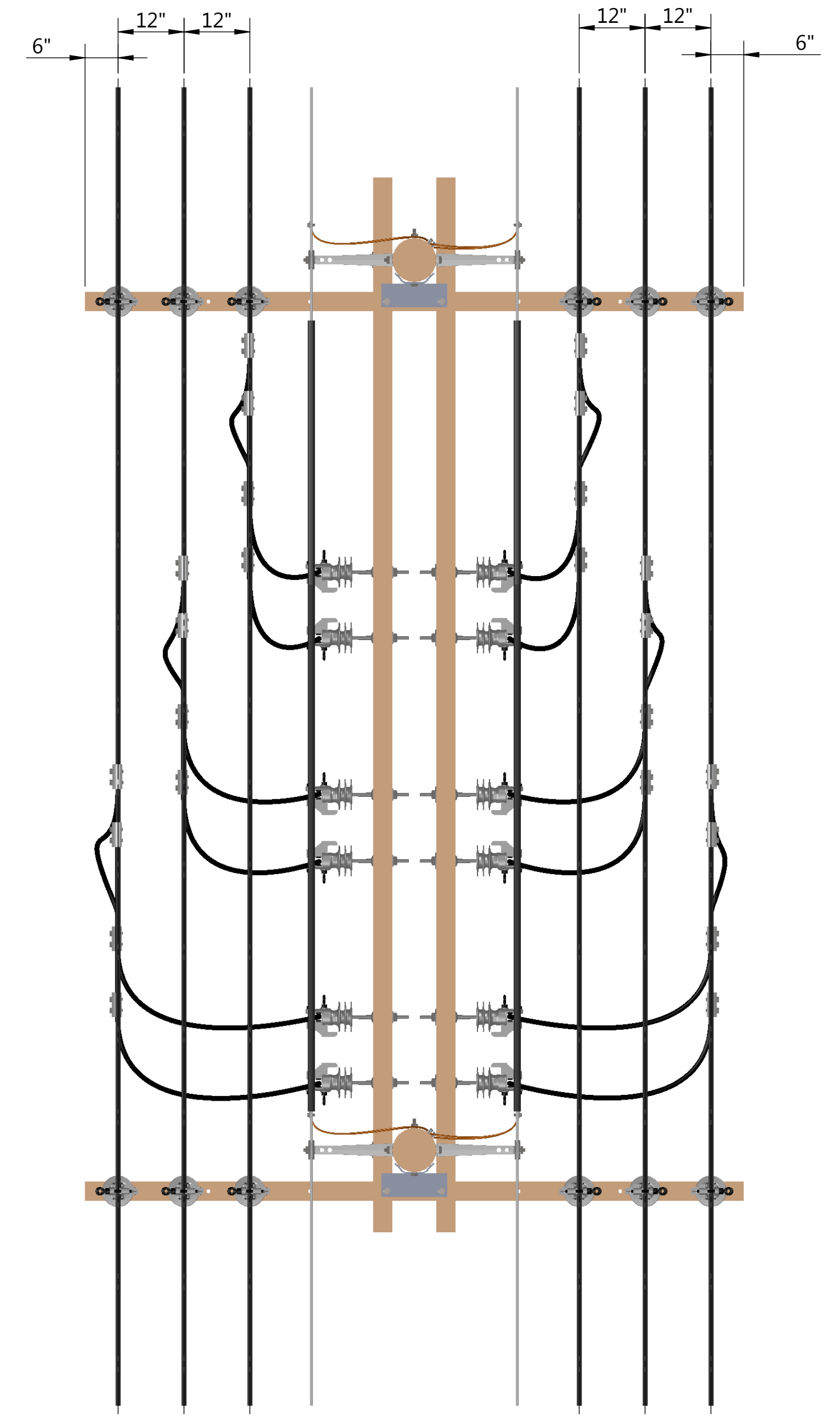


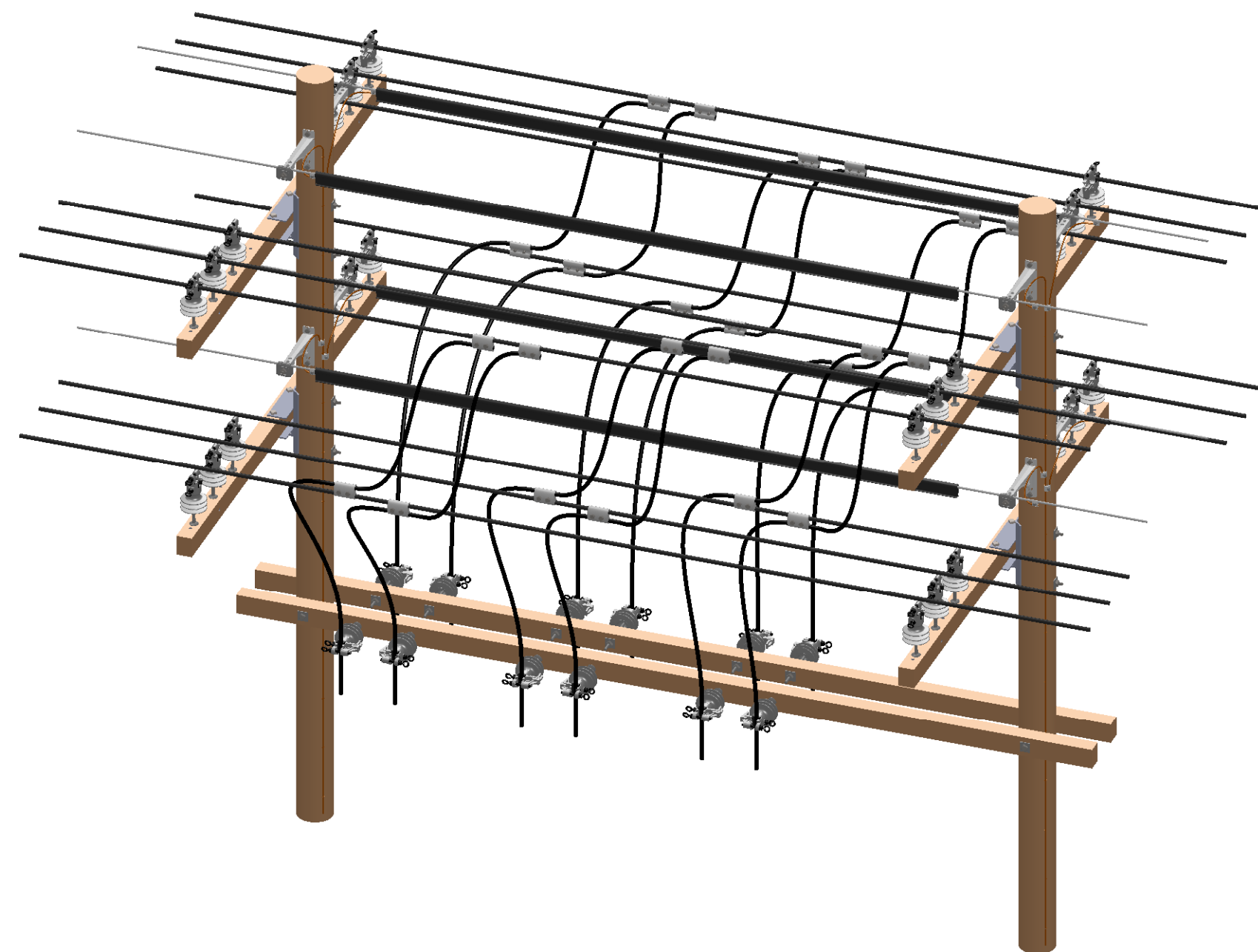
FRONT VIEW



SIDE VIEW



TOP VIEW



ITEM	DESCRIPTION	QTY	DESIGN PARAMETERS
1	TANGENT BRACKET, HENDRIX BM-14	8	15kV
2	UNIVERSAL GROOVE CLAMP, SIZE AND TYPE AS REQ.	18	CROSS-ARM
3	INSULATOR, PIN TYPE, HENDRIX TYPE HPI-15VTP	36	
4	INSULATOR PIN, LONG SHANK, HENDRIX TYPE LSP-1	36	
5	SQUARE WASHER, 2-1/4" X 2-1/4" X 3/16" MIN.	48	TITLE
6	HENDRIX AERIAL CABLE, (SIZE AND VOLTAGE RATING AS REQ.)	AS REQ	DOUBLE CIRCUIT CROSS-ARM
7	MESSENGER (SIZE AND TYPE AS REQ.)	AS REQ	TANGENT CONSTRUCTION FOR RISER POLES
8	CONNECTORS, (SIZE AND TYPE AS REQ.)	14	DRAWING NO.
9	HENDRIX LINE DUC, 8FT LONG, BLACK HDPE	8	REV
10	PUPI CROSS-ARM AND BRACKET ASSEMBLY, SERIES 1000, 10FT LONG	4	AC2081-01
11	MACHINE BOLT, 5/8" X REQ. LENGTH	16	0
12	GROUND WIRE STAPLE	6	DATE
13	GROUND WIRE, SOFT DRAWN COPPER, SOLID #6AWG MIN.	8	3/3/14
			SPACER CABLE SYSTEMS

