

4

3

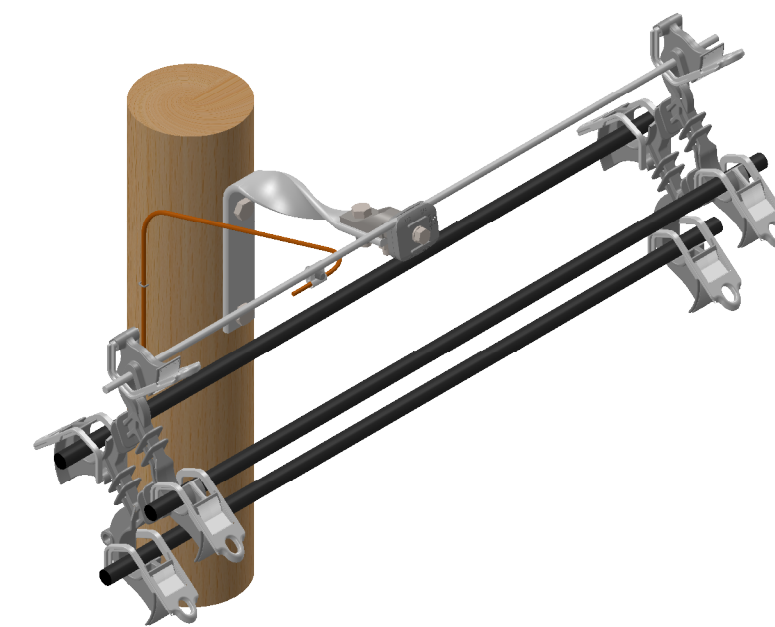
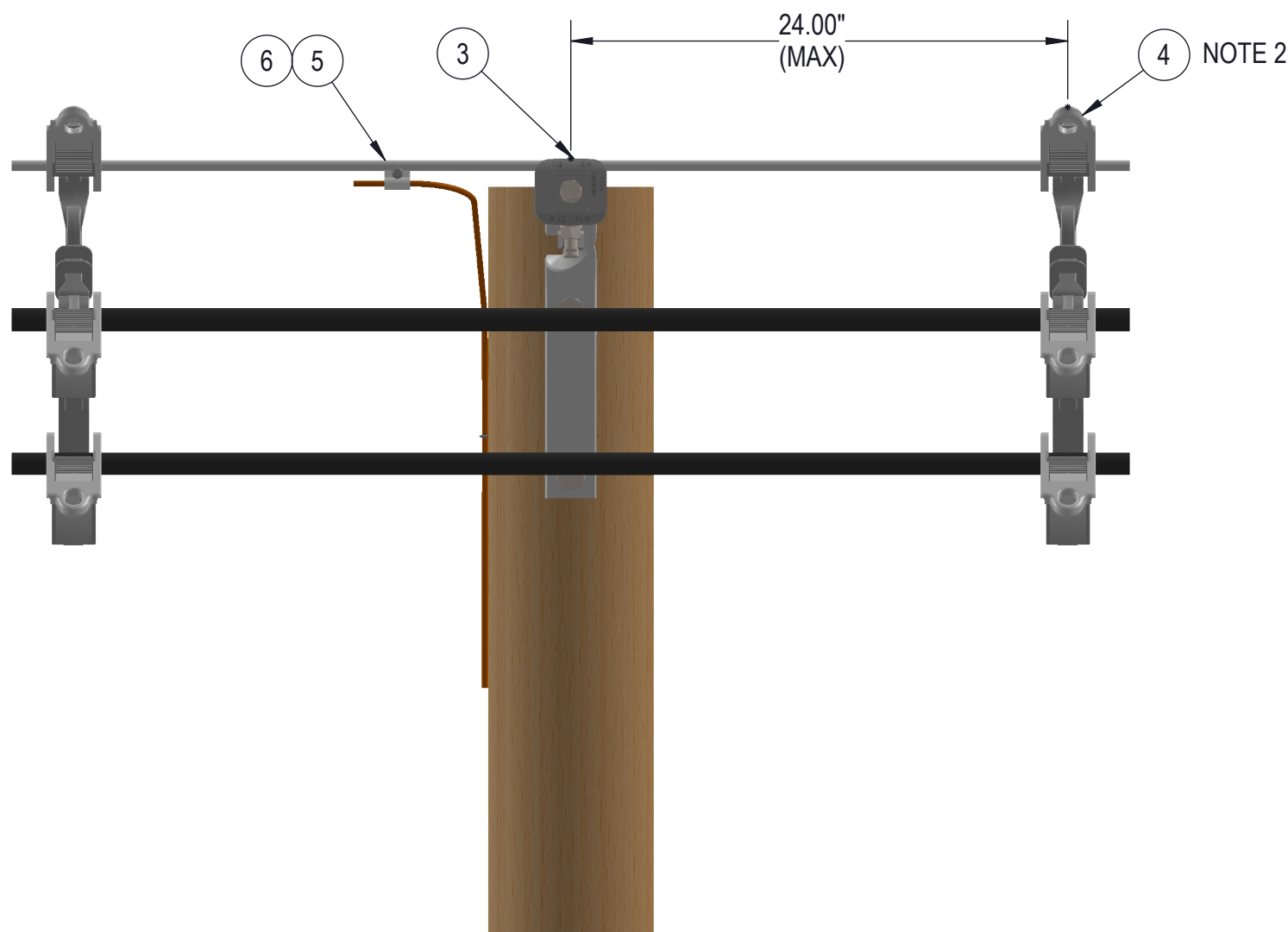
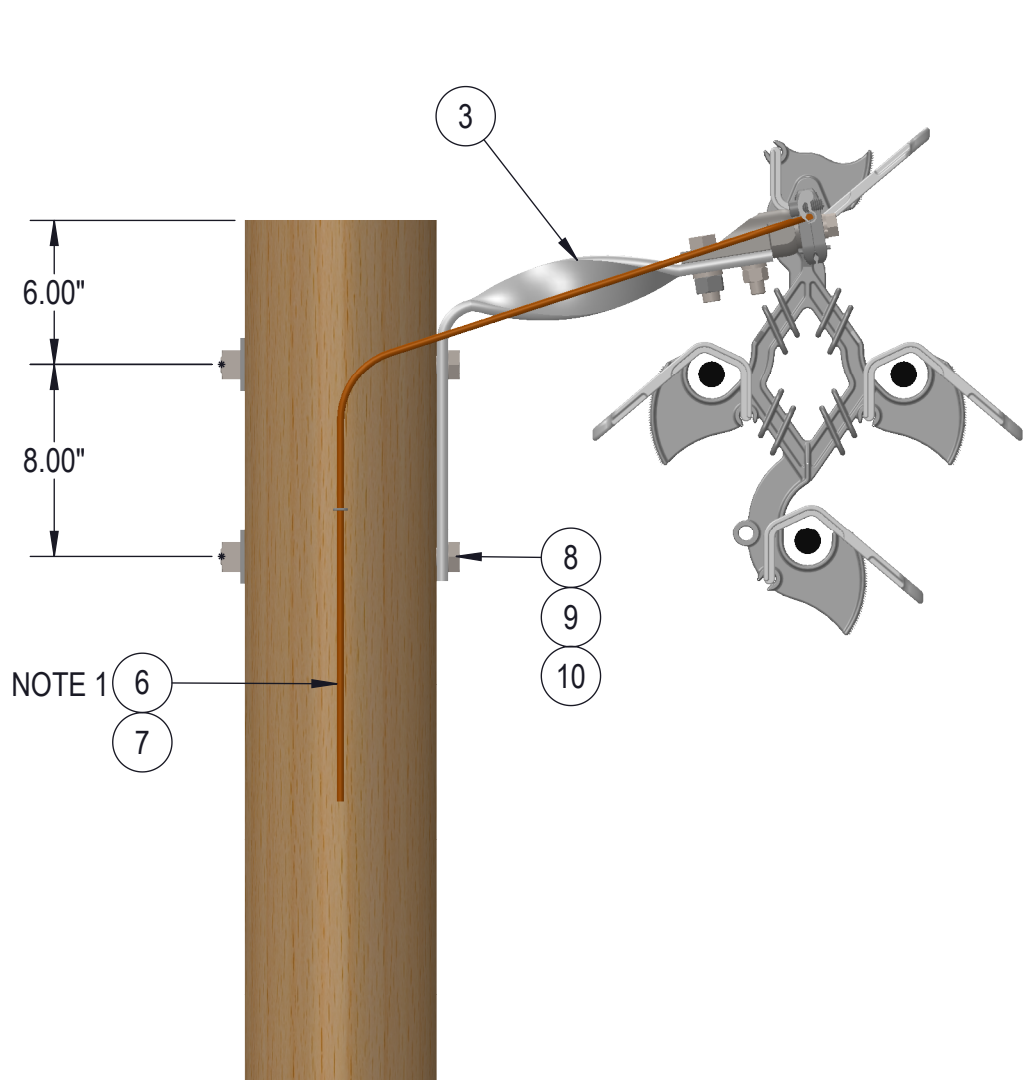
2

1

ITEM	PART NUMBER	DESCRIPTION	HENDRIX SUPPLIED	QTY
1	MSG-XX	MESSENGER (SIZE AND TYPE AS REQ.)	Yes	AS REQ
2	CBL-XX	HENDRIX AERIAL CABLE (SIZE AND VOLTAGE RATING AS REQ.)	Yes	AS REQ
3	BM-14FXM	TANGENT MESSENGER W/ MC-2 MESSENGER CLAMP, 14"	Yes	1
4	RTL-15	HENDRIX SPACER, 15KV, 3 PHASE	Yes	1
5	CONNECTOR-XX	CONNECTOR (SIZE AND TYPE AS REQ.)	No	AS REQ
6	WIRE-18	GROUND WIRE, SOFT DRAWN COPPER, SOLID #6 AWG (MIN)	No	AS REQ
7	STAPLE-02	GROUND WIRE STAPLE	No	AS REQ
8	BLT 3/4-14	MACHINE BOLT, 3/4" X REQ. LENGTH	No	2
9	WSH 2-1/4-01	SQUARE WASHER, 2-1/4 X 2-1/4 X 3/16" (MIN.)	No	2
10	NUT 3/4-XX1	SQUARE NUT, 3/4"	No	2

NOTES:

- GROUND THE MESSENGER AND BRACKET TO A DRIVEN GROUND ROD AS REQUIRED. REFER TO HENDRIX INSTALLATION GUIDE FOR ADDITIONAL INFORMATION.
- A RTL-15 HENDRIX SPACER SHOULD BE PLACED WITHIN 24" ON EITHER SIDE OF THE POLE.



53 OLD WILTON RD. • MILFORD, NH 03055 • (603) 673-2040

3 PHASE - TANGENT
USING BM-14FXM

KV CLASS: 15 kV

LINE ANGLE: 0-6°

REV.	DESCRIPTION	DATE
0	INITIAL RELEASE	8/10/2017
REVISIONS		

DRAWING NO.:
AC1234-01

REV
0

4

3

2

1