

XPT-30 Pole Top Extension



Description:

The XPT-30 is a pole top extension used with Hendrix Spacer Cable Systems. The bracket is formed using 4.0" channel and is hot dip galvanized after fabrication.

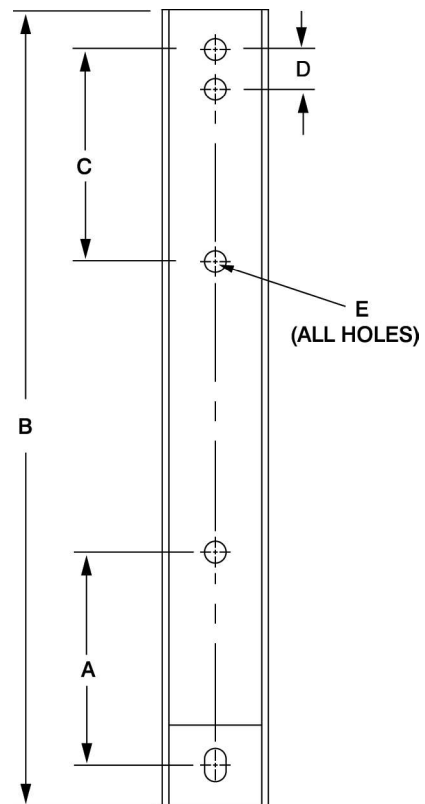
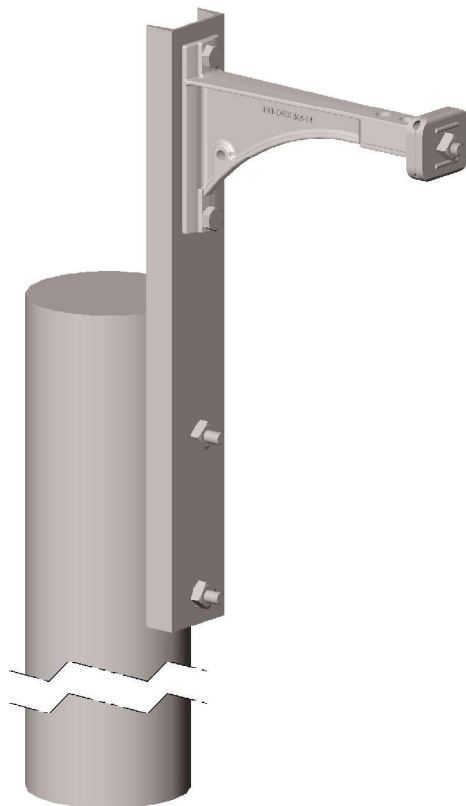
Benefits:

- Eliminates the need for costly pole replacement
- Provides additional clearance between primary circuit(s) and under-built utilities
- 8.0" mounting hole spacing conforms to standard pre-drilled poles for ease of installation



Application:

The XPT-30 can be used on both tangent and angle structures where an additional 12.0" of pole height is required. This pole top extension will accommodate any tangent or angle bracket with 8.0" mounting hole spacing. Observance of proper guying practices is critical on angle structures. Pole mounting is accomplished using thru-bolts (not included).



Part Number	Dimensions (in)					Weight (lbs)	Material
	A	B	C	D	E		
XPT-30	8	30	8	1.5	13/16	16	HDG ASTM A-36 Structural Steel