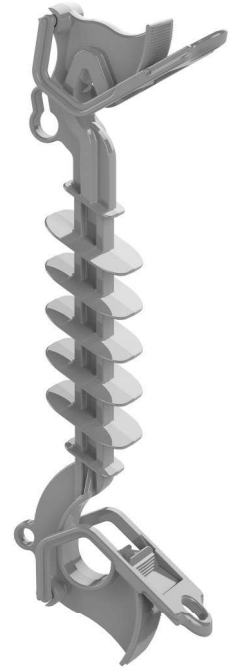


Description:

Designed for 20kV (phase-ground) distribution voltage, the RTL-20VXL is a single phase spacer used in Hendrix Spacer Cable Systems. The RTL-20VXL meets General Order 95 spacing requirements for system voltages up to and including 35kV. Mounted on a messenger wire, the RTL-20VXL will support the phase conductor in a vertical configuration. This spacer features ratcheting clamps to secure the messenger and conductor. Hendrix spacers are molded using a proprietary gray track resistant and UV resistant high density polyethylene material.

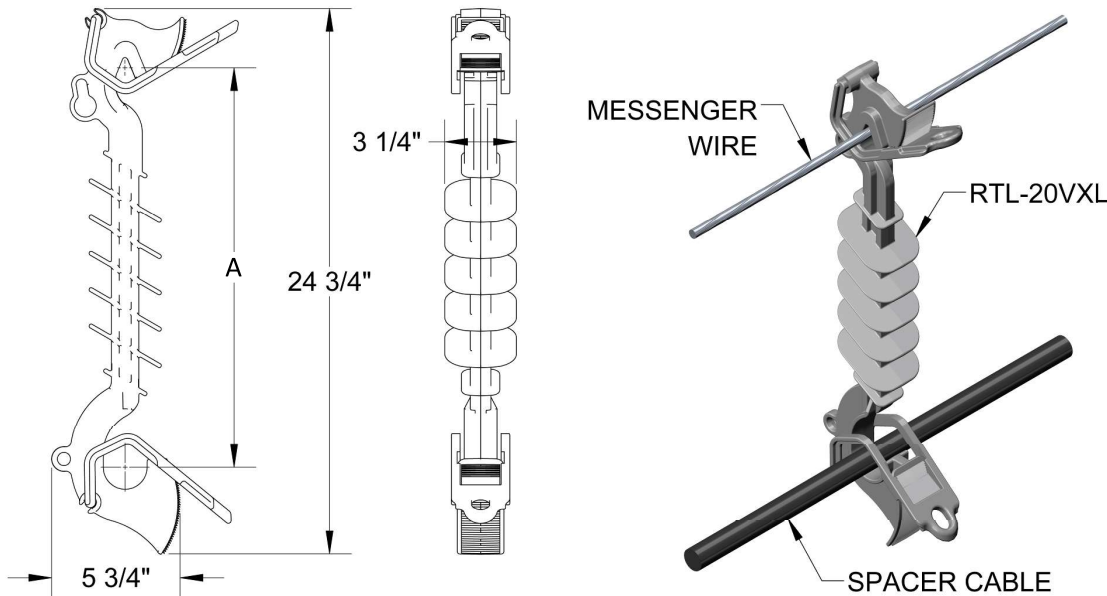
Benefits:

- Designed for easy and efficient installation and replacement
- Increased phase spacing for additional leakage distance requirements
- Integral ratcheting clamps secure our full range of messenger and phase conductor sizes
- Wedge-shaped messenger hook provides maximum grip
- Optimum dielectric compatibility with Hendrix Spacer Cable
- Excellent weather washing characteristics
- Long leakage distance resists flashovers
- Highly resistant to shock/impact/rifle fire
- Lightweight, rugged construction
- Can be installed with hot line tools
- Molded from proprietary gray track resistant and UV resistant high density polyethylene material



Application:

Use the RTL-20VXL in single phase distribution circuits rated up to 20kV, phase to ground. Typical application for the RTL-20VXL is backlot, residential construction. Installation of the spacers should be made in accordance with the appropriate Hendrix Aerial Cable System Instructions. Mount spacers at 30 foot intervals. Fasten to the messenger and conductor with the ratcheting clamps.



Part Number*	Overall Dimensions (in)				Min. Leakage Distance (in)	Max. Messenger Size (in)	Max. System Voltage (kV)	Max. Conductor Size (in)	Weight (lbs)
	Height	Width	Depth	A					
RTL-20V	17.75	3.25	5.75	12	20.5	3/4	35	2	1.50
RTL-20VXL	24.75	3.25	5.75	18.25	30.5	3/4	35	2	1.79

*Specify RTL-20VDM Spacer for steep grade or angle applications (greater than 20°)