

# SSP-2, LSP-1 Insulator Pins



## Description:

The SSP-2 and LSP-1 are insulator pins used to mount Hendrix polyethylene insulators on Hendrix Spacer Cable brackets and standard crossarms. Both insulator pins are supplied with the ANSI standard 1.0" thread. The insulator pin body is forged steel that is hot dip galvanized.



**SSP-2**



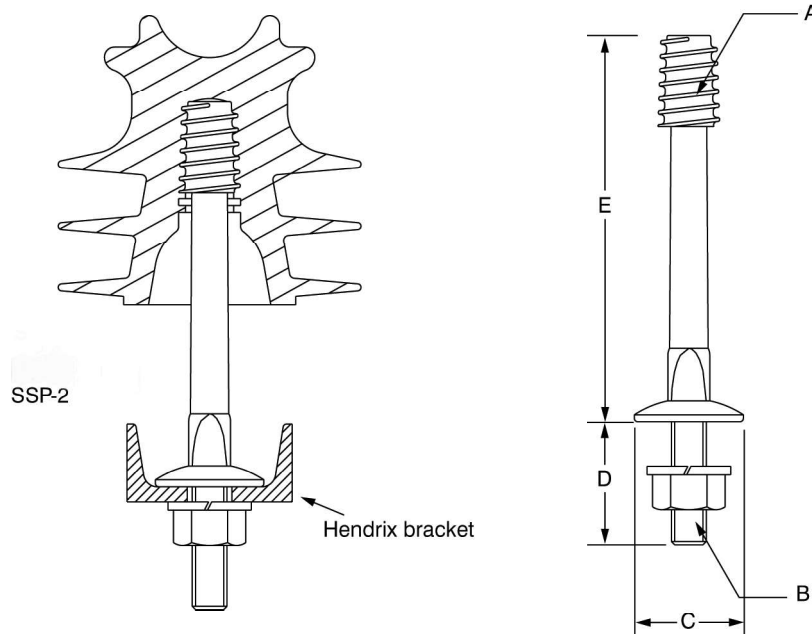
**LSP-1**

## Benefit:

The SSP-2 has a non-standard 2.0" base diameter which permits the insulator pins to be used with Hendrix angle, tap and dead-end brackets fabricated from 3.0" structural steel channel.

## Application:

These insulator pins should be applied with Hendrix polyethylene insulators when used with spacer cable or tree wire systems. The SSP-2 is a short shank pin designed for use with Hendrix fabricated metal brackets. The LSP-1 is a long shank pin for use with standard crossarms.



Part Number	Dimensions (in)					Weight (lbs)	Material
	A	B	C	D	E		
SSP-2	1.0 ANSI Standard	¾ - 10 UNC	2	2.375	7	1.9	Galvanized Steel
LSP-1	1.0 ANSI Standard	¾ - 10 UNC	2.75	6.5	7	2.9	Galvanized Steel