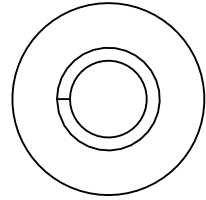
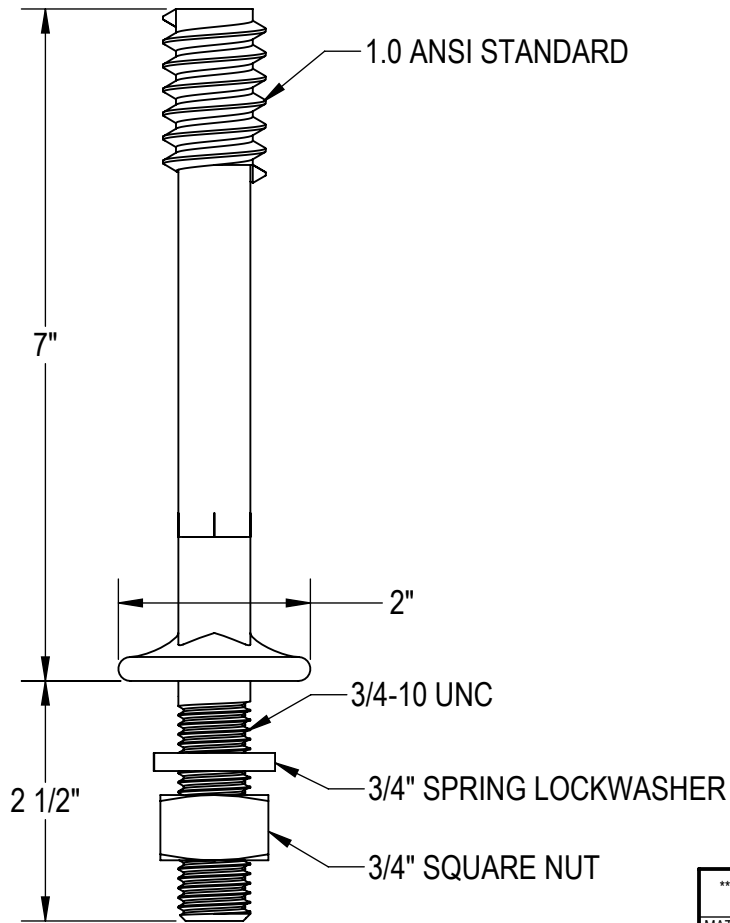


**PROPRIETARY AND CONFIDENTIAL**

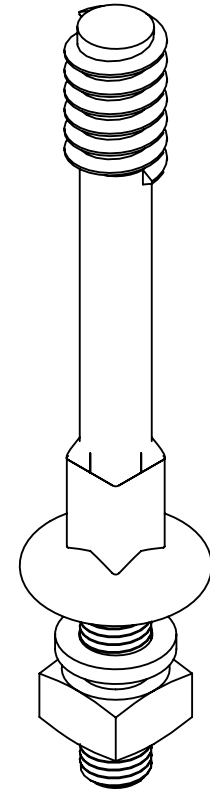
THE INFORMATION CONTAINED IN THIS DRAWING IS THE SOLE PROPERTY OF MARMON UTILITY, LLC. REPRODUCTION IN PART OR AS A WHOLE WITHOUT THE WRITTEN PERMISSION OF MARMON UTILITY, LLC IS PROHIBITED.



**TOP VIEW**



**FRONT VIEW**



**Hendrix**<sup>®</sup>  
AERIAL CABLE SYSTEMS

53 Old Wilton Road, Milford, NH 03055 (603) 673-2040 [www.marmonutility.com](http://www.marmonutility.com)

INSULATOR PIN, SHORT SHANK, 3/4" W/ 1"  
NYLON THREAD

\*\*\*UNLESS OTHERWISE SPECIFIED\*\*\*  
DIMENSIONS ARE IN INCHES

MATERIAL  
STRUCTURAL STEEL

FINISH  
HOT-DIPPED GALVANIZED, ASTM A123

SIZE	PART NBR	REV
A	SSP-2	
SCALE: 1:2	WEIGHT: 1.46	SHEET: 1 OF 1