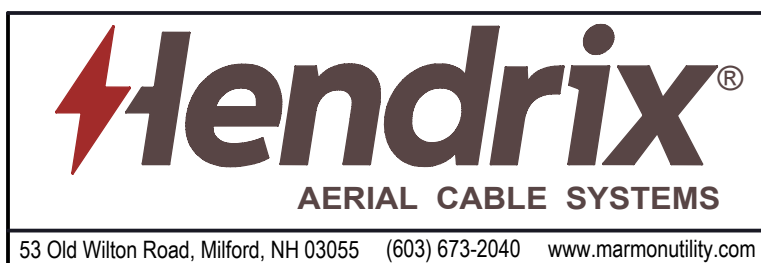
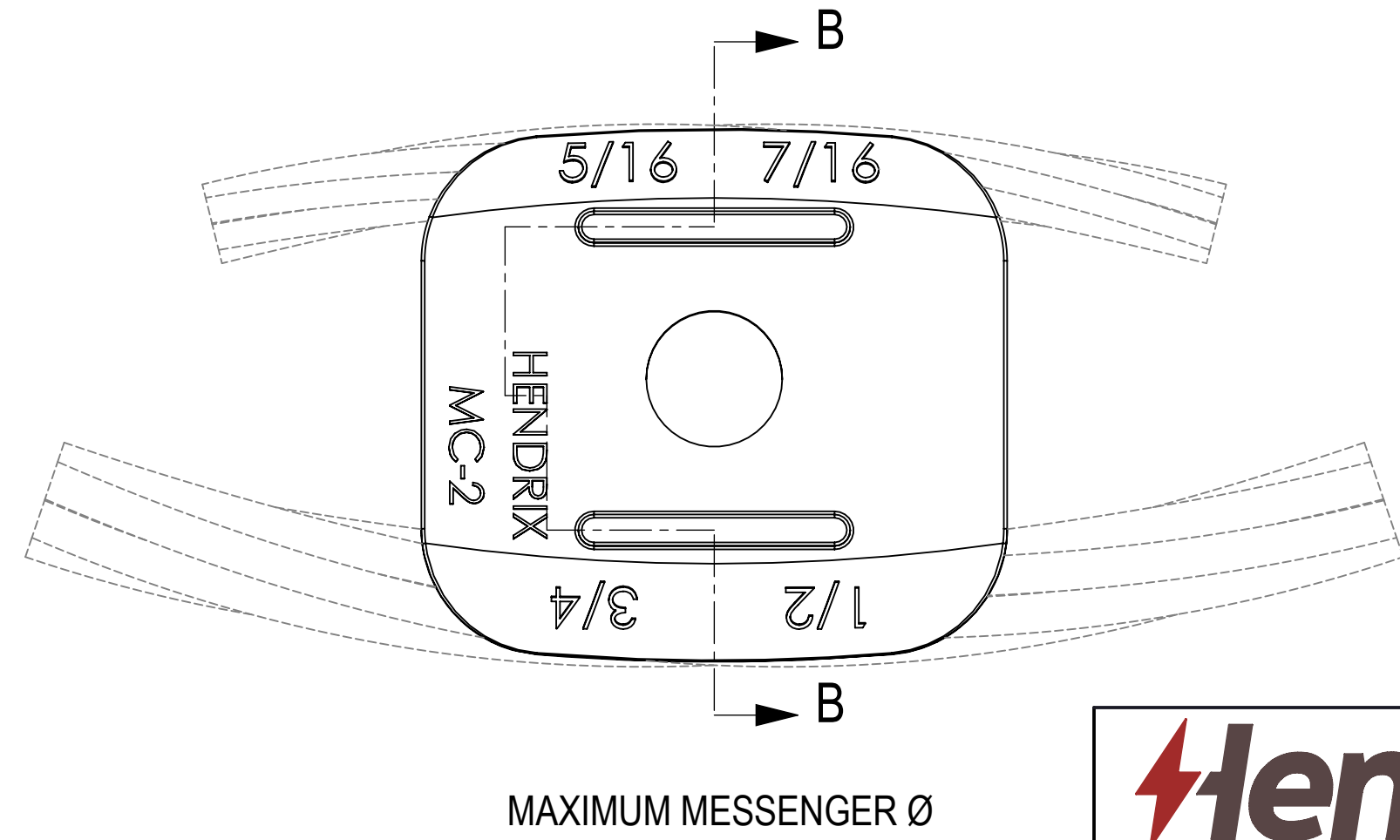
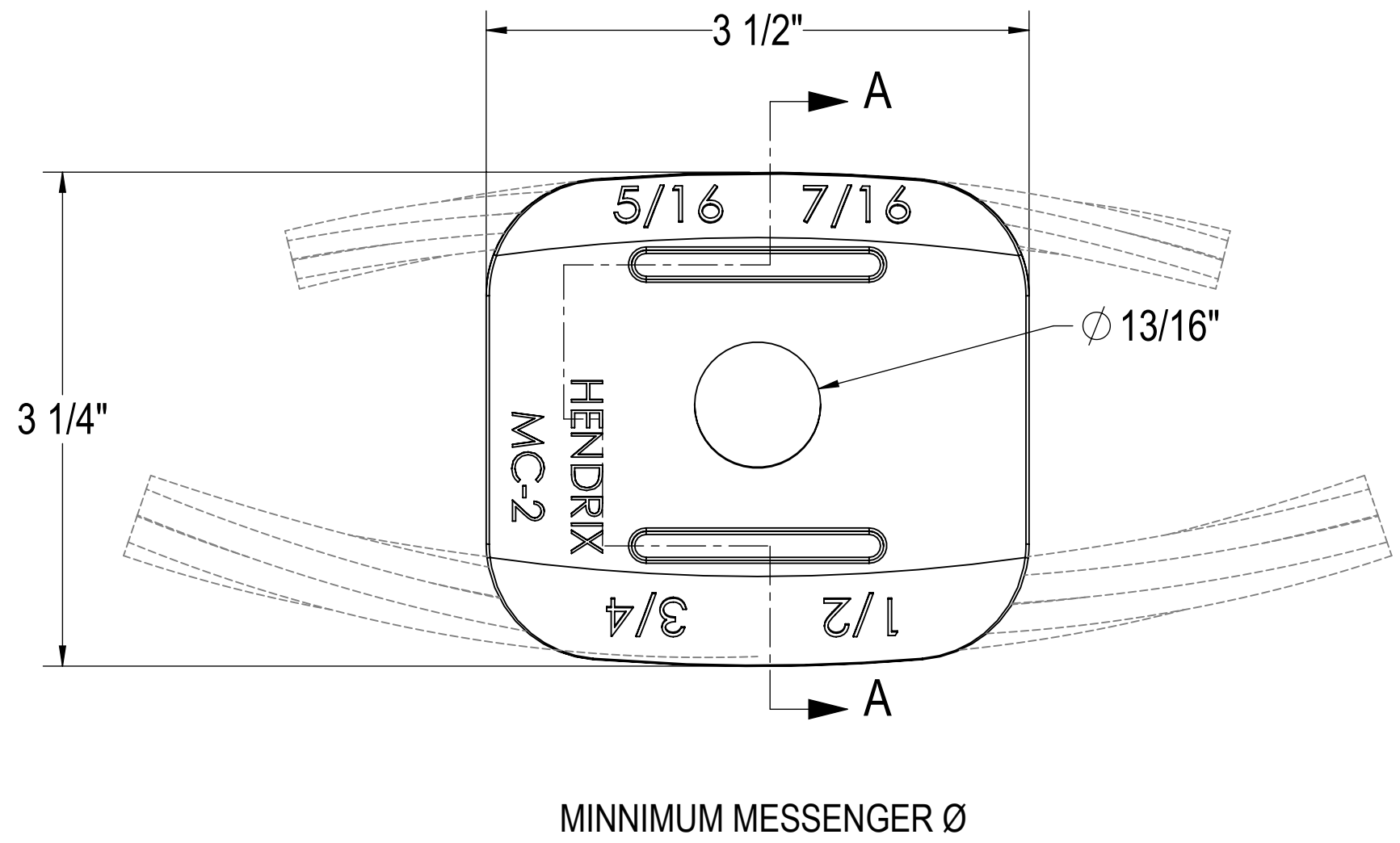
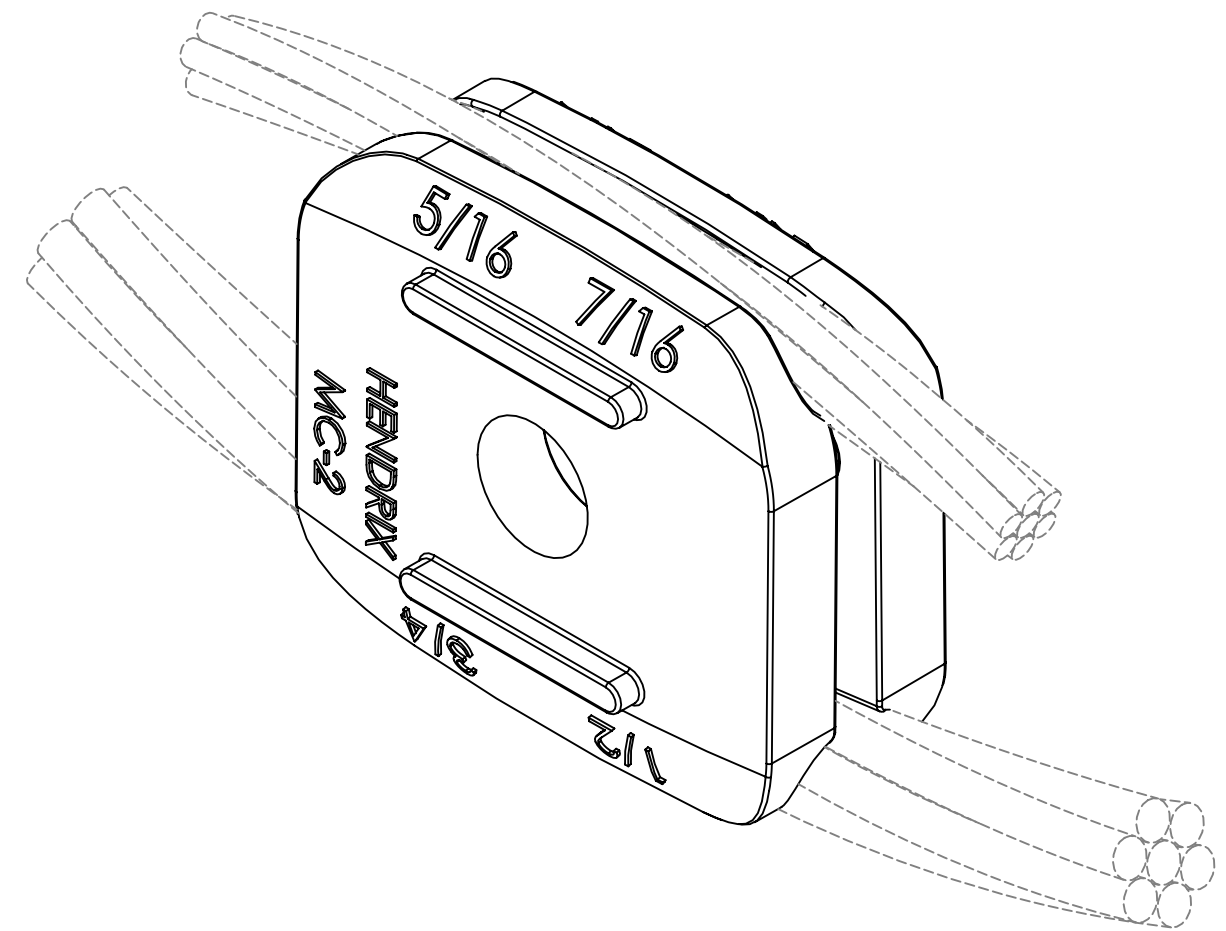
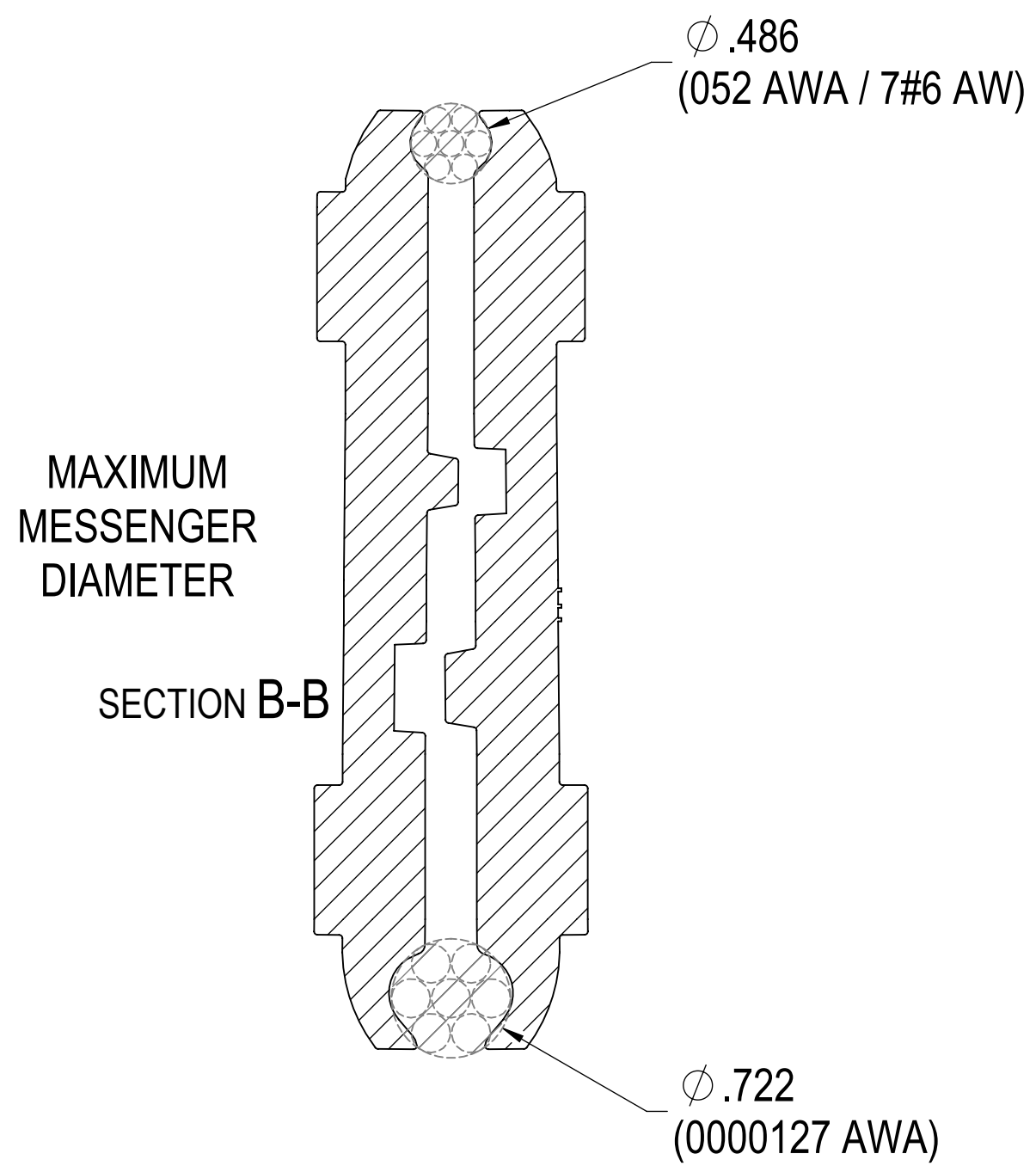
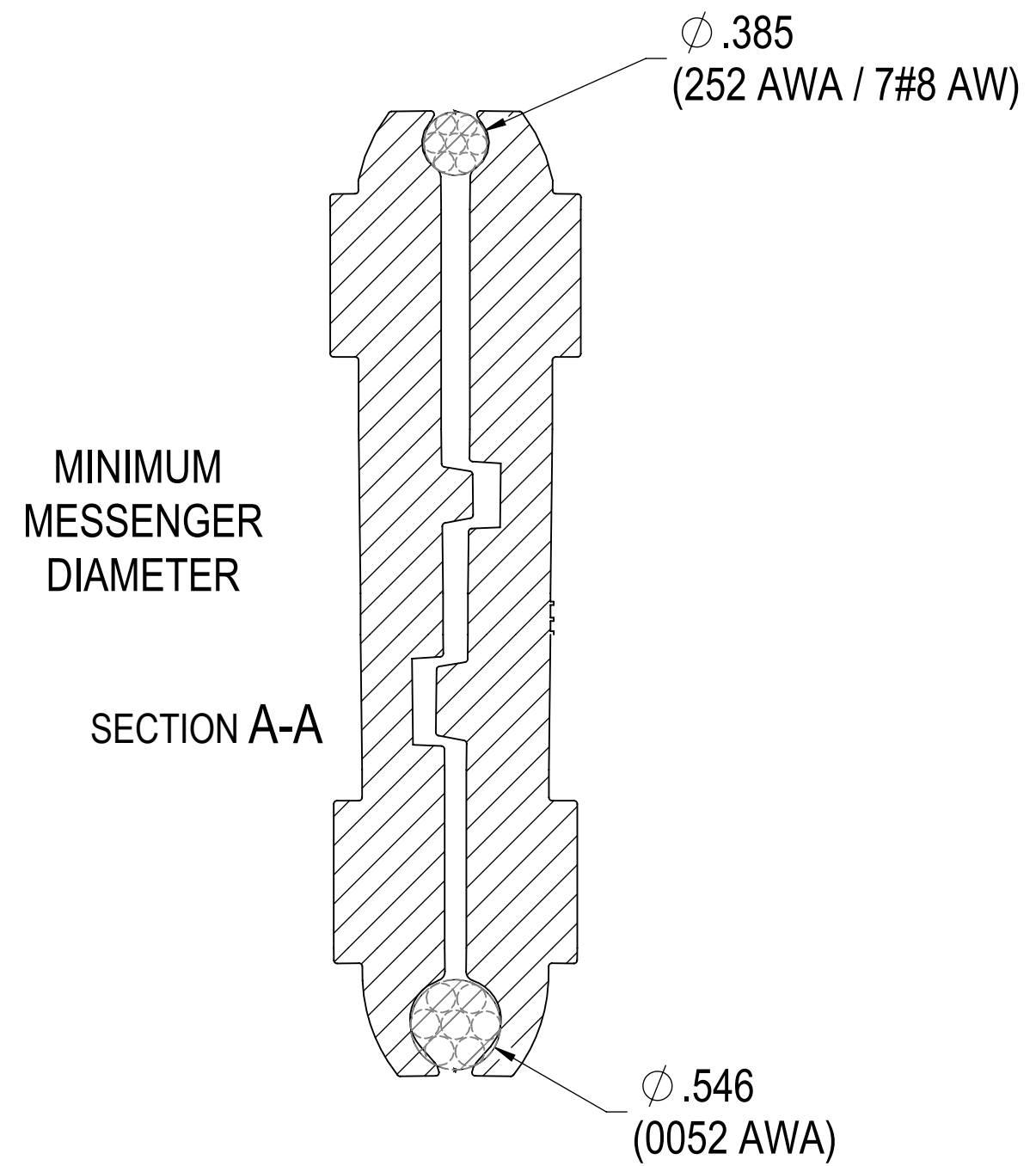


PROPRIETARY AND CONFIDENTIAL
 THE INFORMATION CONTAINED IN THIS DRAWING IS THE SOLE
 PROPERTY OF MARMON UTILITY, LLC. REPRODUCTION IN PART
 OR AS A WHOLE WITHOUT THE WRITTEN PERMISSION OF
 MARMON UTILITY, LLC IS PROHIBITED.



UNLESS OTHERWISE SPECIFIED DIMENSIONS ARE IN INCHES		
MATERIAL	DUCTILE IRON	
FINISH	HOT-DIPPED GALVANIZED, ASTM A123	
SIZE	PART NBR	REV
C	MC-2	0
SCALE: 1:1	WEIGHT: 2.35 LBS	SHEET: 1 OF 1

CLAMP - MESSENGER, ASSEMBLY