

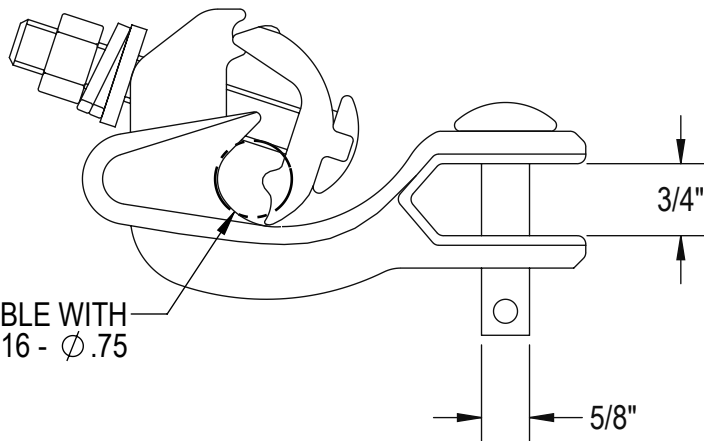
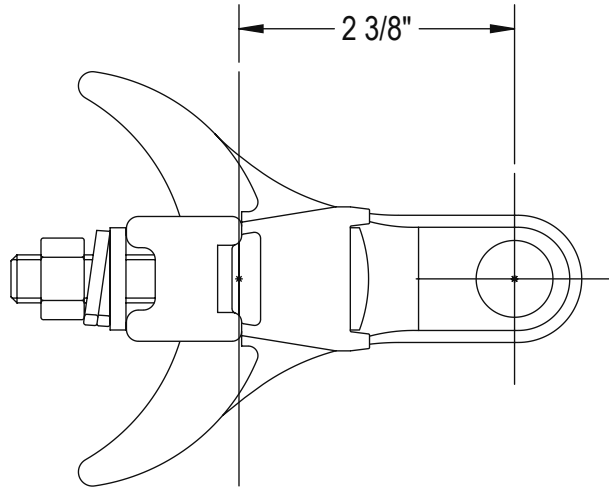
PROPRIETARY AND CONFIDENTIAL

THE INFORMATION CONTAINED IN THIS DRAWING IS THE SOLE PROPERTY OF MARMON UTILITY, LLC. REPRODUCTION IN PART OR AS A WHOLE WITHOUT THE WRITTEN PERMISSION OF MARMON UTILITY, LLC IS PROHIBITED.

TECHNICAL SPECIFICATIONS

MECHANICAL VALUES

MINIMUM ULTIMATE LOAD (LBS)	11,000
MAXIMUM LINE ANGLE (DEG)	60



COMPATIBLE WITH
MESSENGER ϕ .16 - ϕ .75



53 Old Wilton Road, Milford, NH 03055 (603) 673-2040 www.marmonutility.com

UNLESS OTHERWISE SPECIFIED DIMENSIONS ARE IN INCHES			
MATERIAL		DUCTILE IRON	
FINISH		HOT-DIPPED GALVANIZED	
CLAMP - ANGLE SUSPENSION		SIZE	PART NBR
		A	CMA-1
SCALE: 1:2		WEIGHT: 2.25	
			REV
			SHEET: 1 OF 1