

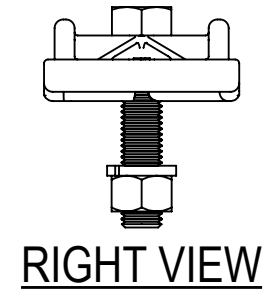
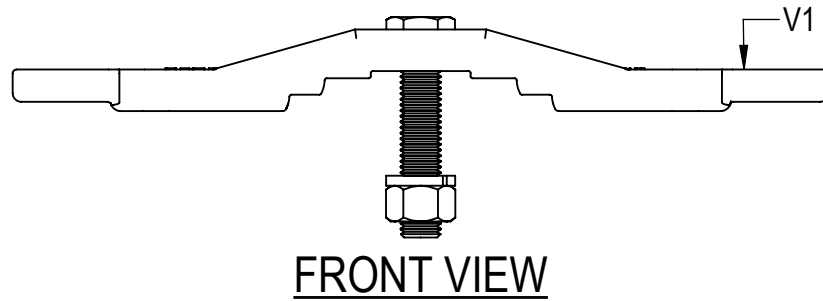
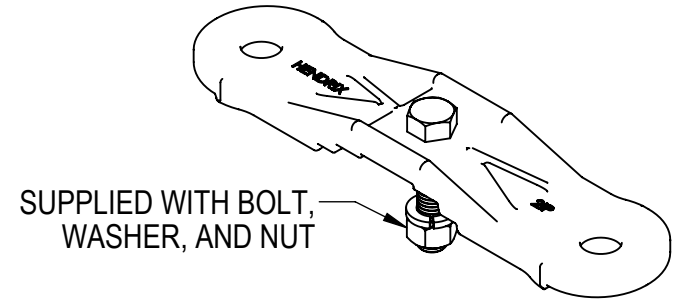
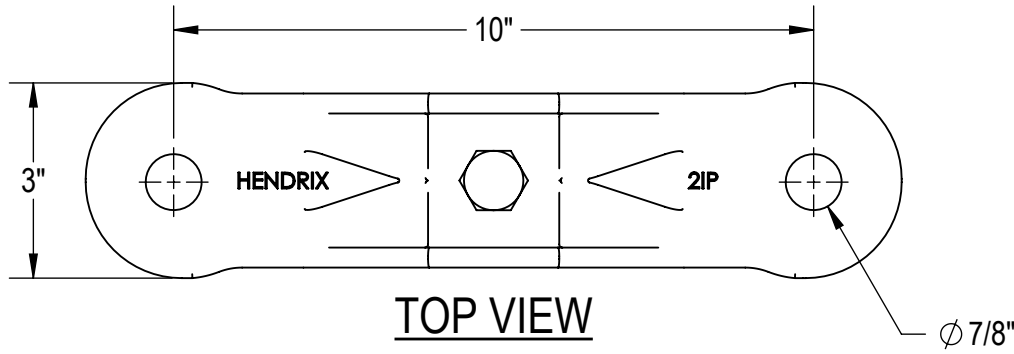
**PROPRIETARY AND CONFIDENTIAL**

THE INFORMATION CONTAINED IN THIS DRAWING IS THE SOLE PROPERTY OF MARMON UTILITY, LLC. REPRODUCTION IN PART OR AS A WHOLE WITHOUT THE WRITTEN PERMISSION OF MARMON UTILITY, LLC IS PROHIBITED.

**TECHNICAL SPECIFICATIONS**

**MECHANICAL VALUES**

V1 - MINIMUM ULTIMATE LOAD (LBS)	1,750
----------------------------------	-------



53 Old Wilton Road, Milford, NH 03055 (603) 673-2040 www.marmonutility.com

\*\*\*UNLESS OTHERWISE SPECIFIED\*\*\*  
DIMENSIONS ARE IN INCHES

MATERIAL	DUCTILE IRON
FINISH	HOT-DIPPED GALVANIZED, ASTM A123

**DOUBLE INSULATOR PLATE**

SIZE	PART NBR	REV
A	2IP	0
SCALE: 1:3	WEIGHT: 4.00	SHEET: 1 OF 1