

BA6-15-25C Horizontal Bracket



Description:

The BA6-15-25C is a three phase bracket used to maintain a horizontal configuration of the conductors. The bracket is formed using 3.0" channel and is hot dip galvanized after fabrication. The welded gussets provide added strength to support larger size conductors.

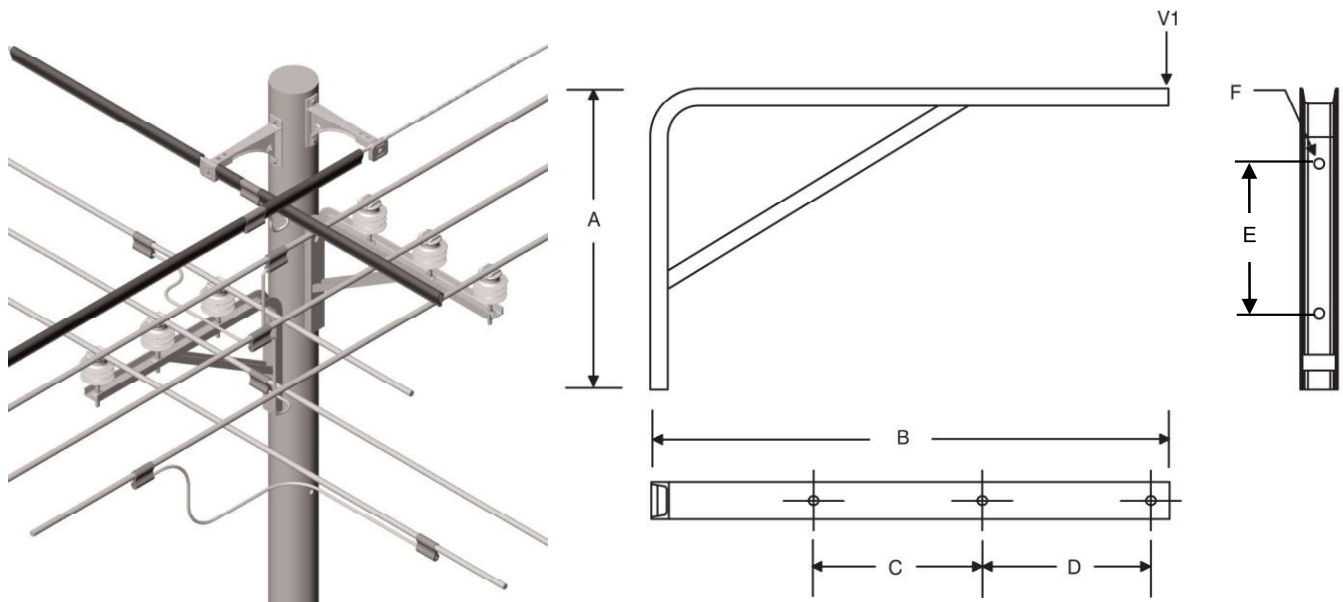


Benefits:

- The horizontal configuration makes multi-phase connections more convenient.
- Large phase spacing makes it easier to strip conductors for tap connections.
- Allows for "flying tap" connections between two crossing circuits.
- Ground Lug Provision

Application:

The BA6-15-25C may be used on circuits up to 35 kV. It is intended to be used at tangent or angle poles where there are tap connections. The bracket should be applied along with Hendrix HPI polyethylene insulators and covered tie wire or HPI Vise-Top Insulators. Pole mounting is accomplished using thru-bolts (not included).



Part Number	System Voltage	Dimensions (in)						Min. Yield Load V1 (lbs)	Weight (lbs)	Material
		A	B	C	D	E	F			
BA6-15-25C	35kV and below	24	41.5	13.5	13.5	12	1 ⁵ / ₁₆	500	31.1	HDG ASTM A-36 Structural Steel