

BA6-15 Angle Bracket



Description:

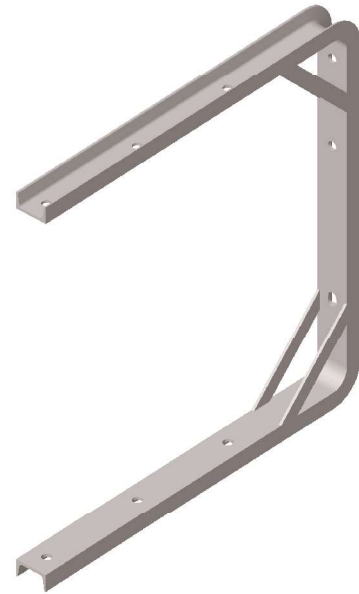
The BA6-15 is a double circuit angle bracket used with Hendrix Spacer Cable Systems. The bracket is formed using 3.0" channel and includes welded gussets for maximum strength. The bracket is hot dip galvanized after fabrication.

Benefits:

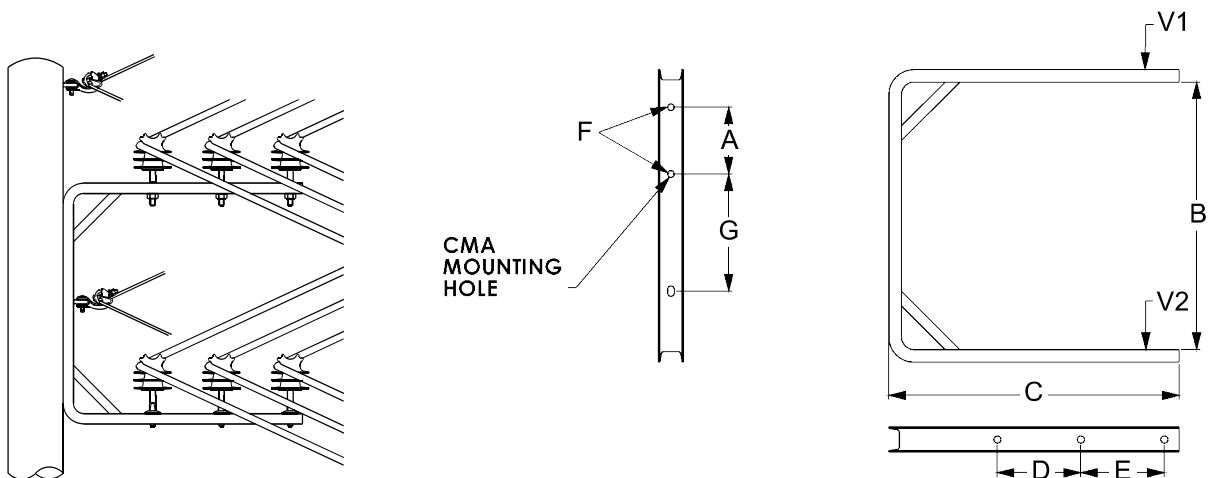
- Maintains close spacing of conductors
- Space saving alternative to using two single circuit brackets
- Ground Lug Provision

Application:

The BA6-15 may be used on voltages through 35kV. The bracket should be applied along with Hendrix HPI polyethylene insulators and covered tie wire or HPI Vise-Top Insulators with 2IP plate, if required. The messenger mounting hole can be used in conjunction with CMA-1 or CMA-2 messenger clamps on angles from 7° - 60°. Pole mounting is accomplished using thru-bolts (not included).



Part Number	System Voltage	Line Angle	Conductor Size	2IP Insulator Plate
BA6-15	15kV	7° - 60°	All	Not Required
		61° - 90°	≤ 556kcmil conductors	Required
	25kV	7° - 44°	All	Not Required
		45° - 60°	Below 336.4	Not Required
		45° - 60° 61° - 90°	336.4 and larger ≤ 556kcmil conductors	Required Required
	35kV	7° - 44°	All	Not Required
45° - 60° 45° - 60°		Below 336.4 336.4 and larger	Not Required Required	
		61° - 90°	Use of BA6-15 not recommended	



Part Number	System Voltage	Dimensions (in)							Min. Yield Load (lbs)		Weight (lbs)	Material
		A	B	C	D	E	F	G	V1	V2		
BA6-15	35kV and below	8	32	34.75	10	10	1 3/16	14	1,500	1,500	42.0	HDG ASTM A-36 Structural Steel