

BAS-14F, BAS-14S, BAS-24F Anti-Sway Brackets



Description:

The BAS-14F, BAS-14S and BAS-24F Anti-Sway Brackets are designed to be used on tangent Hendrix Spacer Cable structures. These brackets are injection molded, proprietary, high density polyethylene. All anti-sway brackets are supplied with a molded clevis pin for attachment to the spacer.

Benefits:

- Stabilizes the spacer at transformer tap poles and eliminates flexing of the transformer lead wire and stress on connections due to movement of the Hendrix Spacer Cable System
- Helps minimize excessive swinging of the Spacer Cable System in high wind areas

Application:

Anti-sway brackets should be used to stabilize spacers on tangent poles and line angles up to 6° and can be used with any Hendrix spacer. The BAS-24F is designed with extra leakage distance for contaminated areas.

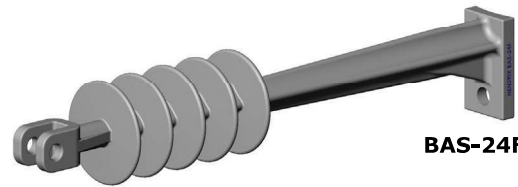
The BAS-14F and BAS-24F are mounted on the front of the pole, directly under the tangent bracket, and require a TS-1 stirrup to be used with the tangent bracket. The BAS-14S is mounted to the side of the pole and does not require the TS-1 stirrup. Pole mounting is accomplished using a 1/2" lag bolt (not included).



BAS-14F

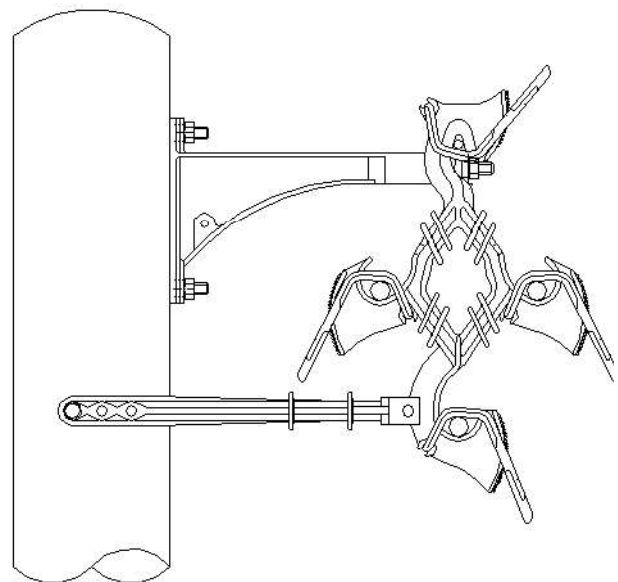
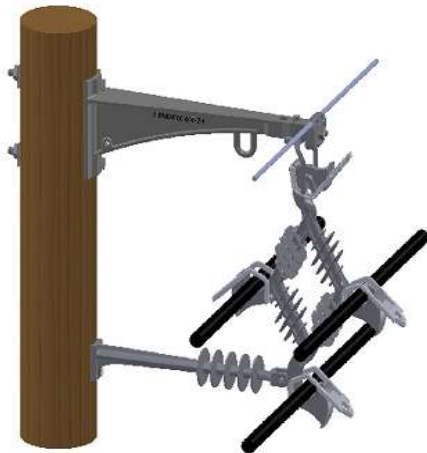


BAS-14S



BAS-24F

Part Number	Compatible/Required Hardware		
	BM-14	BM-24A	TS-1
BAS-14F	X	—	X
BAS-14S	X	—	—
BAS-24F	—	X	X



continued

BAS-14F, BAS-14S, BAS-24F Anti-Sway Brackets

