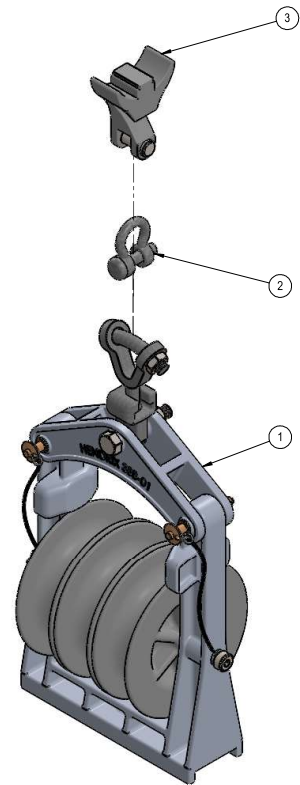
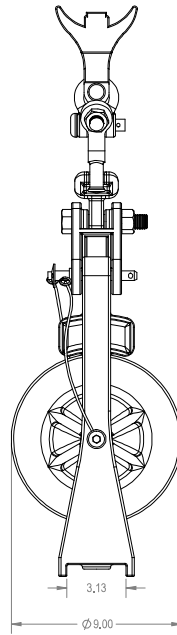
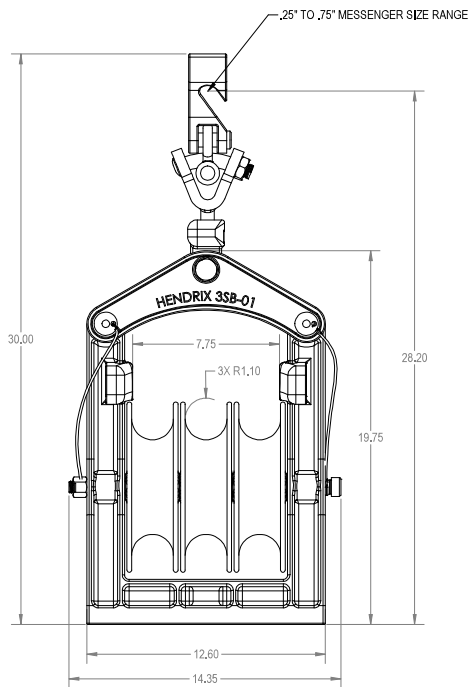


# 3SB-02 - Three Sheave Stringing Block



## Description:

This three sheave block is primarily used to support phase cables at dead end poles and facilitate cable placement at angle poles during cable installation. During "pole by pole method" installations, they can be hung mid-span from the messenger at regular intervals to support the cables.



Item	Part Number	Description	Material Type
1	3SB-01	3 Sheave Block Assembly for Pulling Aerial Cable	Aluminum
2	SC	Clevis - Shackle	Steel
3	CMA-1	Clamp - Angle Suspension	Ductile Iron