

# 2IP Double Insulator Plate



## Description:

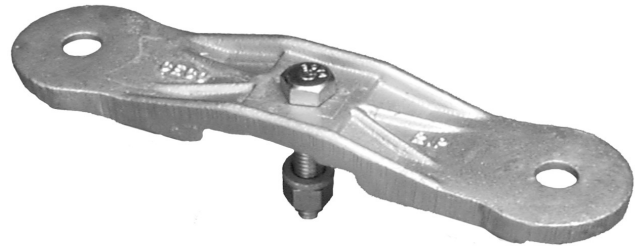
The 2IP Double Insulator Plate is an accessory that allows two Hendrix HPI polyethylene insulators to be used at each phase position on all Hendrix angle brackets. The 2IP is cast ductile iron that is hot dip galvanized after fabrication.

## Benefits:

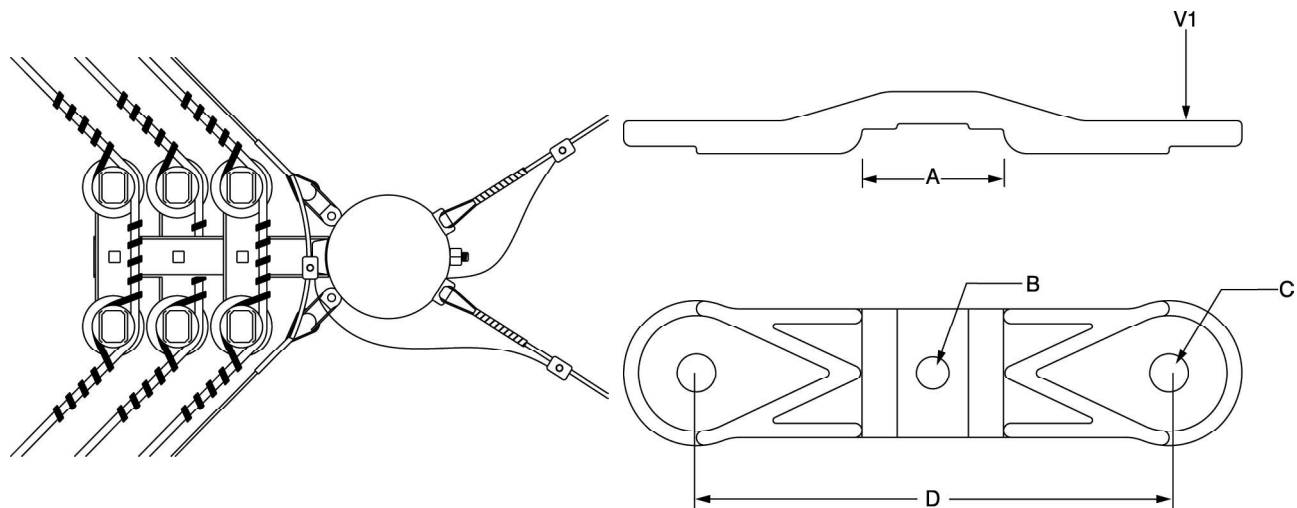
- Provides an increased phase conductor bend radius.
- Divides the mechanical load of large angles between two insulator pins.

## Application:

Each 2IP plate is furnished with the required hardware for mounting on all Hendrix angle brackets. Compatible with 3" or 4" wide channel.



| Part Number | System Voltage | Line Angle | Conductor Size   | 2IP Insulator Plate |
|-------------|----------------|------------|------------------|---------------------|
| 2IP         | 15kV           | 7° - 60°   | All              | Not Required        |
|             |                | 61° - 90°  | All              | Required            |
|             | 25/35kV        | 7° - 44°   | All              | Not Required        |
|             |                | 45° - 60°  | Below 336.4      | Not Required        |
|             |                | 45° - 60°  | 336.4 and larger | Required            |
|             |                | 61° - 90°  | All              | Required            |



| Part Number | Dimensions (in) |                                |                                |    | Min. Ultimate Load V1 (lbs) | Weight (lbs) | Material         |
|-------------|-----------------|--------------------------------|--------------------------------|----|-----------------------------|--------------|------------------|
|             | A               | B                              | C                              | D  |                             |              |                  |
| 2IP         | 3.125           | 1 <sup>1</sup> / <sub>16</sub> | 1 <sup>1</sup> / <sub>16</sub> | 10 | 1,750                       | 3.9          | HDG Ductile Iron |