

Description:

Designed for 115kV transmission voltage, the RTL-115-XXX is a three phase spacer used in Hendrix Spacer Cable Systems. Mounted on a messenger wire, the RTL-115-XXX will support and separate the messenger and phase cables. The RTL-115-XXX includes a metal suspension clamp that fastens on the messenger and is a pivot point to allow the spacer to hang vertically. RTL-115-XXX uses clamps with thermoplastic inserts to secure the conductor. Hendrix spacer insulators are molded using a proprietary gray track resistant and UV resistant high density polyethylene material.

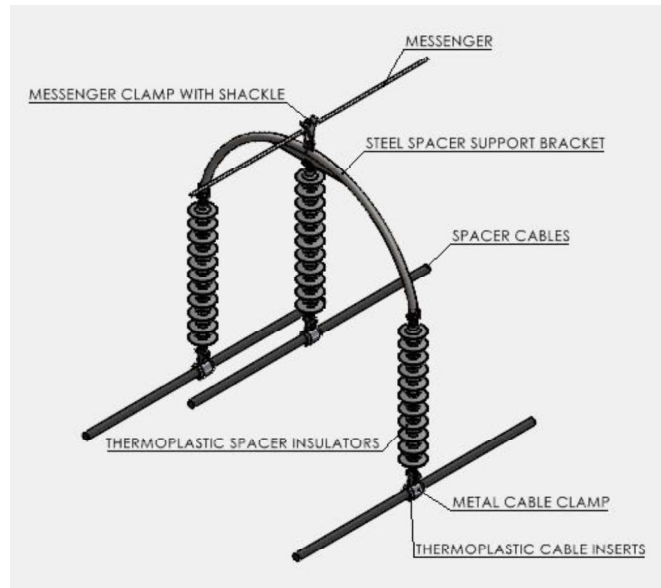
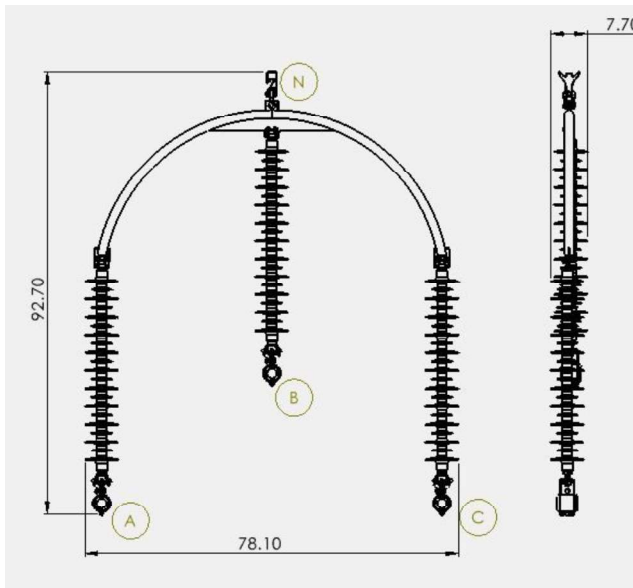


Benefits:

- Provides high strength and flexibility under dynamic loading.
- Metal clamp for secure fastening to the messenger.
- Polyethylene cable clamp inserts for Optimum dielectric compatibility with Hendrix Spacer Cable.
- Excellent weather washing characteristics.
- Long leakage distance resists flashovers.
- Highly resistant to shock/impact/rifle fire.
- Molded from proprietary gray track resistant and UV resistant high density polyethylene material.

Application:

Use the RTL-115-XXX in three phase transmission systems rated up to and including 115kV, phase to phase. Mount spacers at 50 foot intervals. The spacer is secured to the messenger by tightening the metal suspension clamp bolt. Fasten the conductors with the clamps. The cable clamp inserts vary with cable size to provide secure connection and reduce stresses. The size of the inserts is chosen from the table 1.1.



Part Number	Overall Dimensions (in)			Phase Spacing (in)				Minimum Leakage Distance (in)	Max. Messenger Size (in)	Critical Impulse Flashover (kV)*		Power Frequency Flashover (kV)*		Weight (lbs)
	Height	Width	Depth	AB	AC	AN	BN			Positive	Negative	Dry	Wet	
RTL-115-XXX	92.7	78.1	7.7	45	71.3	88	64.5	109	1	763	753	468	407	87

*All testing performed line to ground on a spacer insulator with bare wire