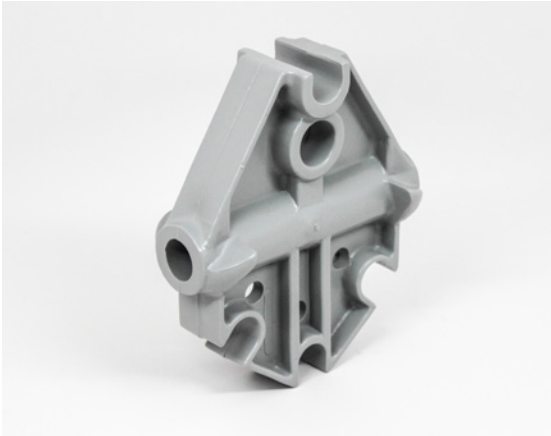


# Secondary Cable Spreader



## S604GR

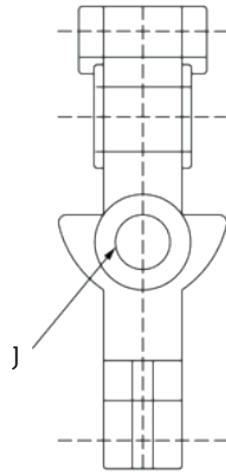
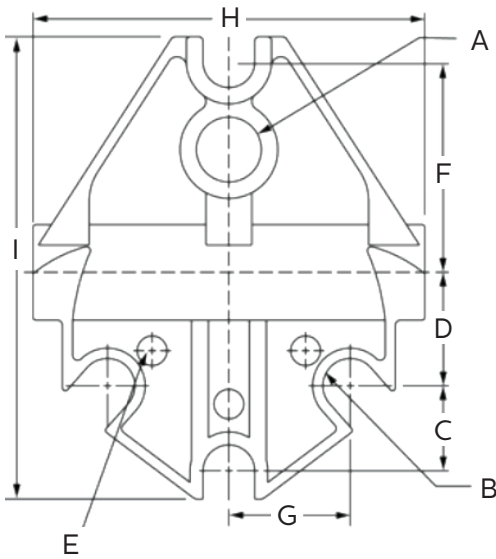
The S604GR is a secondary cable spreader that is used to separate triplex phase conductors and bare wire neutral at locations where customer service drops are to be connected. The S604GR is molded using a proprietary blend of UV- and track-resistant, gray thermoplastic polymers.

## Benefits

- Compact size: lightweight, safe, and easy to use
- Trouble-free: won't chip, crack, or break
- Long life: UV inhibitors prevent solar degradation
- Pole mountable

## Application

The S604GR Spreader is designed to accommodate up to three conductors and a neutral at service drop connections between poles. The S604GR is also suitable for fixed installations to the pole using a through-bolt (not included).



S604GR		
Dimension (inches)	A	13/16
	B	11/16
	C	11/16
	D	1 7/16
	E	3/8
	F	2 11/16
	G	1 1/2
	H	4 15/16
	I	5 27/32
	J	11/16
Weight (lbs.)		0.40
Material		Gray Thermoplastic Polymers