

Description

Designed for 20kV (phase-ground) distribution voltage, the RTL-20VDM is a single phase spacer used in Hendrix Spacer Cable Systems. Mounted on a messenger wire, the RTL-20VDM will support the phase conductor in a vertical configuration below the messenger. The RTL-20VDM includes a Messenger Suspension Clamp that fastens on the messenger and is a pivot point to hang a spacer vertically. This spacer features a ratcheting clamp to secure the conductor. Hendrix spacers are molded using a proprietary gray track resistant and UV resistant high density polyethylene material.

Benefits

- ◆ Designed for easy and efficient installation and replacement
- ◆ Integral ratcheting clamps secure our full range of phase conductor sizes
- ◆ Metal clamp for secure fastening to the messenger
- ◆ Optimum dielectric compatibility with Hendrix Spacer Cable
- ◆ Excellent weather washing characteristics
- ◆ Long leakage distance resists flashovers
- ◆ Highly resistant to shock/impact/rifle fire
- ◆ Lightweight, rugged construction
- ◆ Molded from proprietary gray track resistant and UV resistant high density polyethylene material

Application

Use the RTL-20VDM in single phase distribution circuits rated up to 20kV, phase to ground. Typical applications are for steep grade (greater than 20°) in which the Messenger Suspension Clamp swivels to allow the spacer to hang vertically from an angled messenger wire. Also designed for long span applications to prevent spacer from moving on the messenger. Fasten the conductor with the ratcheting clamp. Mount spacers at 30 foot intervals.

To eliminate swaying at poles, use the lower hole on the backside of the spacer for Anti-Sway Brackets (BAS-14F/S, supplied separately).

RTL-20VDM

Technical Specifications

Electrical Values

Minimum Leakage Distance (in): 30-1/2
Maximum System Voltage (kV): 35

Dimensions

Max. Messenger Size (in): 0.750
Max. Conductor Size (in): 2.0
Overall Dimensions (in): 20-1/2 x 5-3/4 x 3-1/4

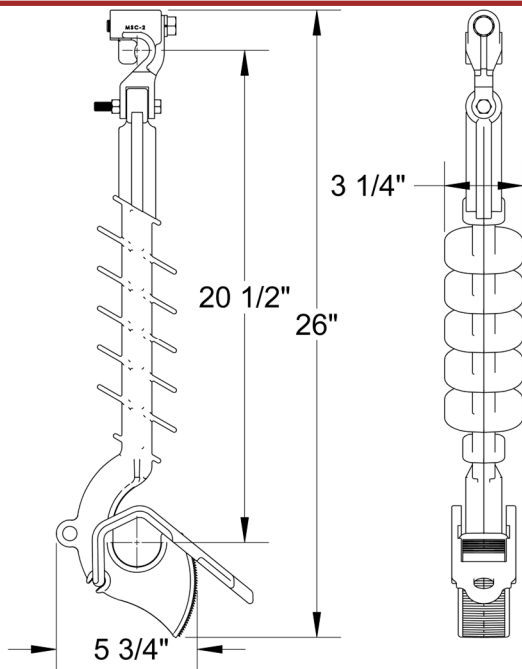
Other

Weight (lbs): 2.60
Material: High Density Polyethylene

Additional Information

Link to 3D Product Image: <https://a360.co/2xDGeRT>

Dimensions



Application

