

Description

Designed for 20kV (phase-ground) distribution voltage, the RTL-20V is a single phase spacer used in Hendrix Spacer Cable Systems. Mounted on a messenger wire, the RTL-20V will support the phase conductor in a vertical configuration. This spacer features ratcheting clamps to secure the messenger and conductor. Hendrix spacers are molded using a proprietary gray track resistant and UV resistant high density polyethylene material.

Benefits

- ◆ Designed for easy and efficient installation and replacement
- ◆ Integral ratcheting clamps secure our full range of messenger and phase conductor sizes
- ◆ Wedge-shaped messenger hook provides maximum grip
- ◆ Optimum dielectric compatibility with Hendrix Spacer Cable
- ◆ Excellent weather washing characteristics
- ◆ Long leakage distance resists flashovers
- ◆ Highly resistant to shock/impact/rifle fire
- ◆ Lightweight, rugged construction
- ◆ Can be installed with hot line tools
- ◆ Molded from proprietary gray track resistant and UV resistant high density polyethylene material

Application

Use the RTL-20V in single phase distribution circuits rated up to 20kV, phase to ground. Typical application for the RTL-20V is backlot, residential construction. Installation of the spacers should be made in accordance with the appropriate Hendrix Aerial Cable System Instructions. Mount spacers at 30 foot intervals. Fasten to the messenger and conductor with the ratcheting clamps.

To eliminate swaying at poles, use the lower hole on the backside of the spacer for Anti-Sway Brackets (BAS-14F/S, supplied separately).

RTL-20V

Technical Specifications

Electrical Values

Minimum Leakage Distance (in):	20-1/2
Maximum Messenger Size (in):	0.750
Maximum Conductor Size (in):	2.0
Maximum System Voltage (kV):	35

Dimensions

Overall Dimensions (in): 17-3/4 x 5-3/4 x 3-1/4

Other

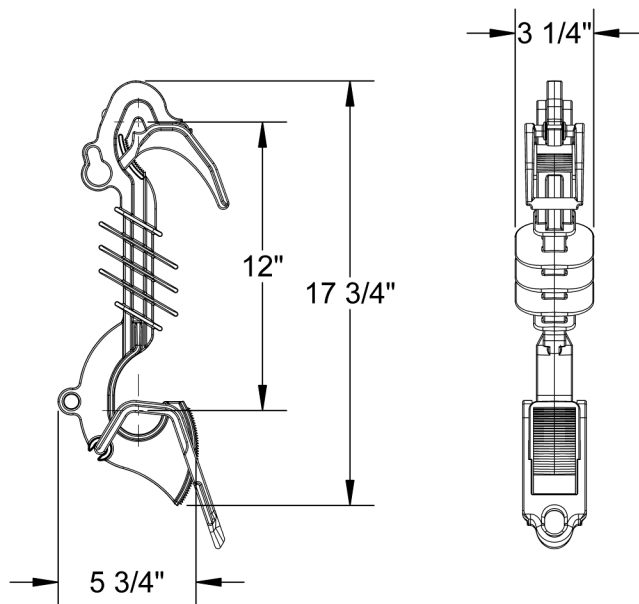
Weight (lbs): 1.50
Material: High Density Polyethylene

Additional Information

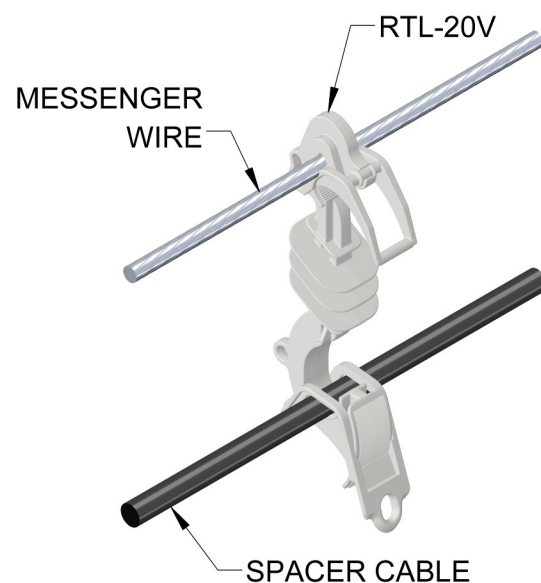
- ♦ Reduce spacer intervals to 25'-0" when supporting 954 kcmil or larger cable size
- ♦ For steep grade applications (greater than 20°), specify the RTL-20VDM

[Link to 3D Product Image](#)

Dimensions



Application



Rxx