

Description

Designed for 15kV distribution voltage, the RTL-15DM is a three phase spacer used in steep grade and long span applications of Hendrix Spacer Cable Systems. Mounted on a messenger wire, the RTL-15DM will support and separate the messenger and phase conductors in a diamond configuration. The RTL-15DM includes a Messenger Suspension Clamp, MSC-3D that fastens on the messenger and is a pivot point to hang a spacer vertically. The RTL-15DM uses ratcheting clamps to secure the conductor. Hendrix spacers are molded using a proprietary gray track resistant and UV resistant high density polyethylene material.

Benefits

- ◆ Designed for easy and efficient installation and replacement
- ◆ Integral ratcheting clamps secure our full range of messenger and phase conductor sizes
- ◆ Ductile Iron Clamp for secure fastening to the messenger
- ◆ Optimum dielectric compatibility with Hendrix Spacer Cable
- ◆ Excellent weather washing characteristics
- ◆ Long leakage distance resists flashovers
- ◆ Phase spacing minimizes voltage drop
- ◆ Highly resistant to shock/impact/rifle fire
- ◆ Open diamond design provides neat appearance
- ◆ Molded from proprietary gray track resistant and UV resistant high density polyethylene material

Application

Use the RTL-15DM in steep grade (greater than 20°) and long span applications of three phase distribution systems rated up to and including 15kV, phase to phase. Installation of the spacers should be made in accordance with the appropriate Hendrix Aerial Cable System Instructions. Mount spacers at 30 foot intervals. The Messenger Suspension Clamp, MSC-3D, swivels to allow the spacer to hang vertically from an angled messenger wire. Also designed for long span applications to prevent spacer from moving on the messenger.

To eliminate swaying at poles, use the lower hole on the backside of the spacer for Anti-Sway Brackets (BAS-14F/S, supplied separately).

RTL-15DM

Technical Specifications

Electrical Values

Minimum Leakage Distance (in):	10-3/4
Maximum System Voltage (kV):	15
Short Circuit Rating (kA):	13.5*

Dimensions

Max. Messenger Size (in):	0.750
Max. Conductor Size (in):	2.0
Overall Dimensions (in):	20 x 13 x 1-3/4

Other

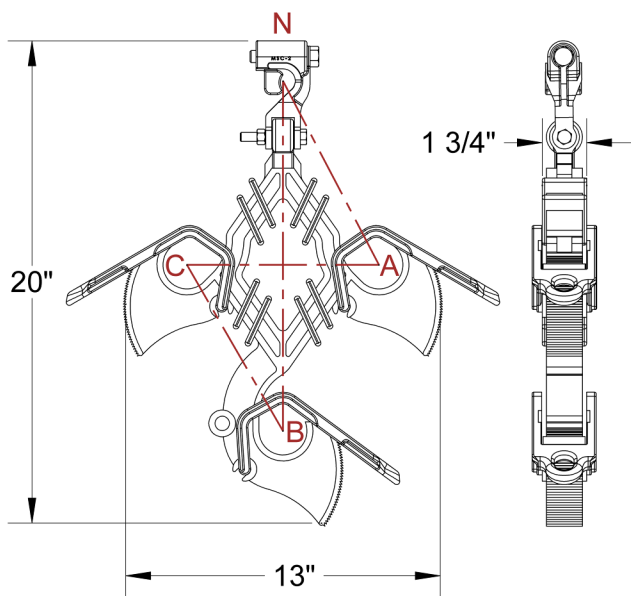
Weight (lbs):	2.55
Material:	High Density Polyethylene

Additional Information

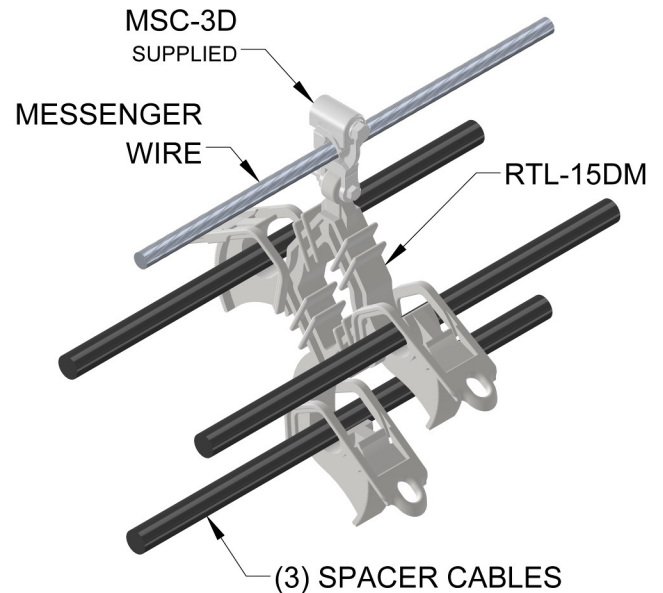
- ♦ *Calculated values for short circuit rating
- ♦ Reduce spacer intervals to 25'-0" when supporting 954 kcmil or larger cable size

Link to 3D Product Image: <http://a360.co/2wVVgTJ>

Dimensions



Application



Catalog No	Phase Spacing (in)			
	AN	AC	BC	BN
RTL-15DM	8-1/2	8	8	14-1/2

R00