

Description

Designed for 15kV distribution voltage, the BAS-14F is an anti-sway bracket used in Hendrix Spacer Cable Systems. This bracket is mounted below a tangent bracket and to the backside of an spacer to stabilize the spacer movement at a tangent pole. The BAS-14F will secure the bottom of the spacer with a molded Clevis Pin (supplied). Hendrix anti-sway brackets are molded using a proprietary gray track resistant high density polyethylene material.

Benefits

- ◆ Reduces excessive swinging of the Spacer Cable System
- ◆ Stabilizes the spacer at equipment tap poles
- ◆ Minimizes flexing of the transformer lead wire and stress on connections
- ◆ Compatible in both single and three phase Hendrix Spacer Cable Systems

Application

Use the BAS-14F Anti-Sway bracket on tangent poles (line angles 0-6°) in distribution systems rated up to and including 15kV. Anti-sway brackets should be used to stabilize spacers.

Mount the bracket to the front of the pole, directly under a tangent bracket. A stirrup is required to hang a spacer from a tangent bracket. Fasten to the pole with one (1) - 1/2" lag-bolt (not supplied).

Secure the bottom of the spacer to the anti-sway bracket with the provided molded Clevis Pin.

BAS-14F

Technical Specifications

System Application

Bracket Type: Anti Sway
Bracket Shape: 14"
Maximum System Voltage (kV): 15
Line Angle (degrees): 0-6

Dimensions

Overall Dimensions (in): 3-3/4 x 13 x 2

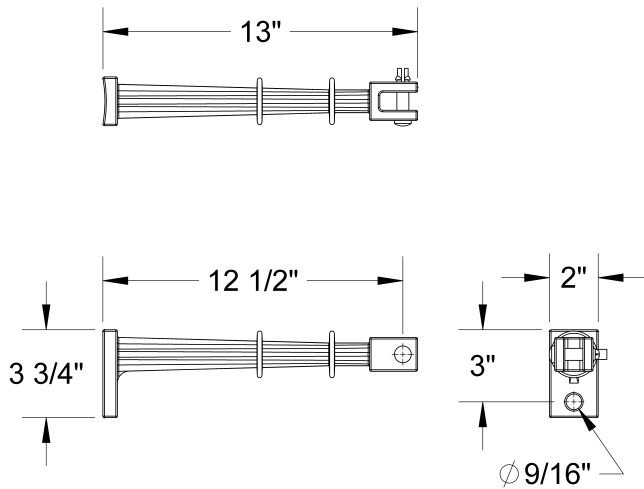
Other

Material: High Density Polyethylene
Finish: HDG
Weight (lbs): 0.75

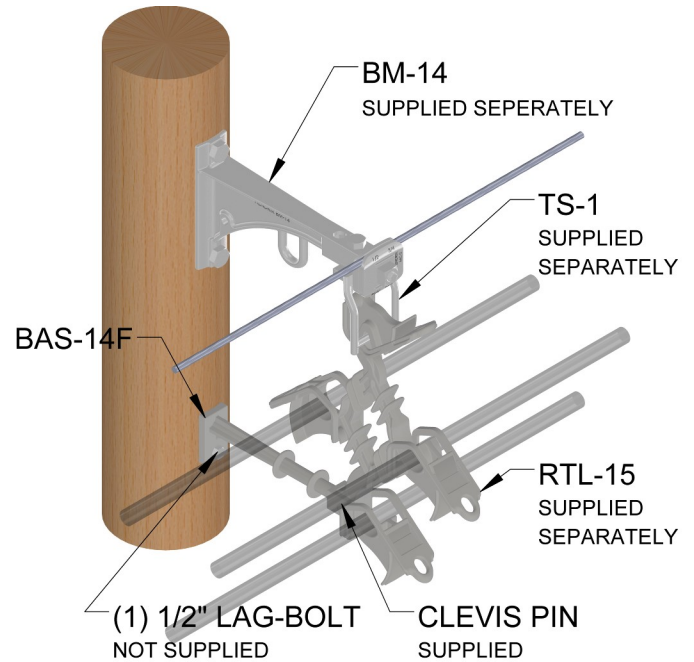
Additional Information

[Link to 3D Product Image](#)

Dimensions



Application



R00