

Description

Designed for distribution voltages up to 46kV, the BA6-15-25C is a horizontal tap pole bracket used in Hendrix Spacer Cable Systems. Mounted on a pole, the BA6-15-25C will support and horizontally separate the phase conductors and is intended to be used at tangent or angle poles where there are tap connections. This bracket is formed steel channel and hot dipped galvanized after fabrication. Welded gussets on the BA6-15-25C increase the bracket's strength.

Benefits

- ◆ Horizontal configuration makes multi-phase connections more convenient
- ◆ Maintains a close spacing of conductors
- ◆ Allows for tap connections between two crossing circuits.
- ◆ Ground lug provision

Application

Use the BA6-15-25C bracket on poles in distribution systems rated up to and including 46kV. Mount to the pole with two (2) - 5/8" thru-bolts (not supplied by Hendrix). Messenger wire should be secured at least 21" above the bracket's top bolt. The bracket should be applied along with Hendrix Vise-Top Polyethylene Insulators and Short Shank Insulator Pins for the conductors (supplied separately).

BA6-15-25C

Technical Specifications

System Application

Bracket Type: Tap Bracket
Horizontal

Bracket Shape: "L"
Maximum System Voltage (kV): 46
Line Angle (degrees): 0-60

Dimensions

Overall Dimensions (in): 24 x 41-1/2 x 3

Other

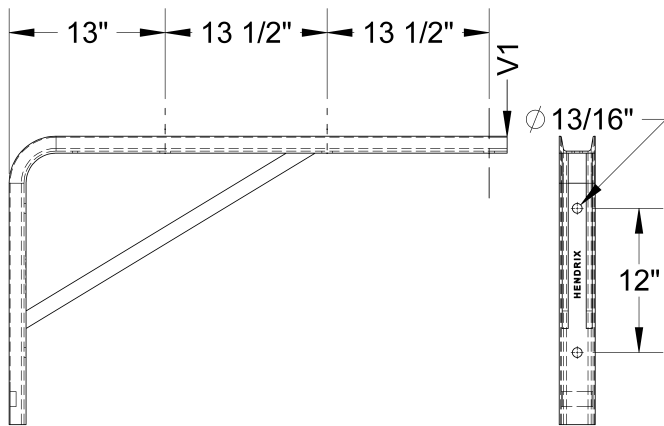
Material: A-36 Carbon Steel
Finish: HDG
Weight (lbs): 31.50

Additional Information

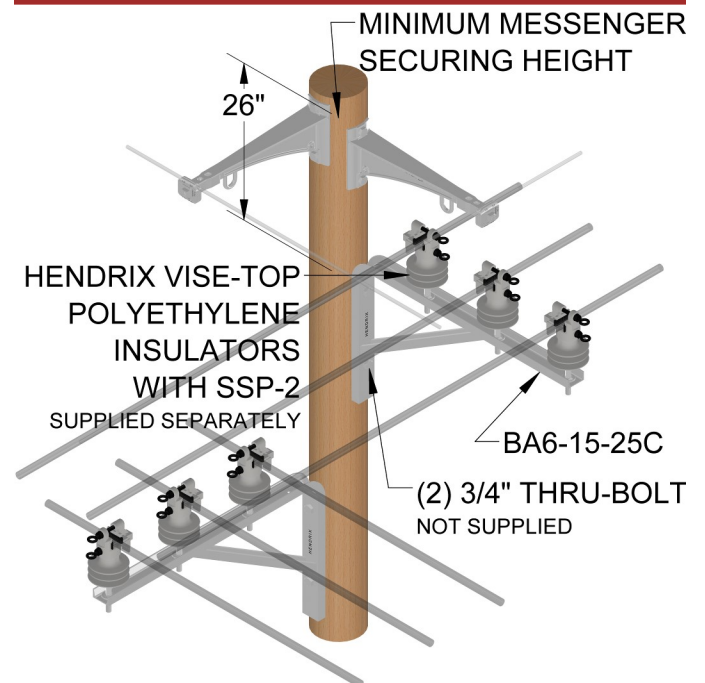
- ◆ Messenger securing options:
 - Tangent - BM-24
 - Line Angle <60° - PSAC
 - Inside Line Angle <60° - MBXH-82

[Link to 3D Product Image](#)

Dimensions



Application



Catalog No	Maximum Capacity (lbs)
	Vertical
	V1
BA6-15-25C	500