

# BA3-35

Bracket—Product Overview

**Hendrix**<sup>®</sup>  
AERIAL CABLE SYSTEMS



## Description

Designed for distribution voltages up to 46kV, the BA3-35 is an angle pole bracket used in Hendrix Spacer Cable Systems. Mounted on a pole, the BA3-35 will support and separate the phase conductors in a triangular configuration. This bracket is formed from steel channel and hot dipped galvanized after fabrication. Welded gussets on the BA3-35 increase the bracket's strength.

## Benefits

- ◆ Compact triangular configuration of the phase conductors
- ◆ Simple, compact alternative to crossarm angle construction
- ◆ 8" mounting hole spacing conforms to typical spacing used in pre-drilled poles
- ◆ Ground lug provision

## Application

Use the BA3-35 bracket on tangent or angle poles in distribution systems rated up to and including 46kV. Mount to the pole with two (2) - 5/8" thru-bolts (not supplied by Hendrix). Messenger wires should be secured at least 26" above the bracket's top bolt. The bracket is applied along with Hendrix Vise-Top Polyethylene Insulators Short Shank Insulator Pins for the conductors (supplied separately).

# BA3-35

## Technical Specifications

### System Application

<b>Bracket Type:</b>	Angle
<b>Bracket Shape:</b>	"C"
<b>Maximum System Voltage (kV):</b>	46
<b>Line Angle (degrees):</b>	0-90

### Dimensions

**Overall Dimensions (in):** 24-1/4 x 19-1/2 x 3

### Other

<b>Material:</b>	A-36 Carbon Steel
<b>Finish:</b>	HDG
<b>Weight (lbs):</b>	26.50

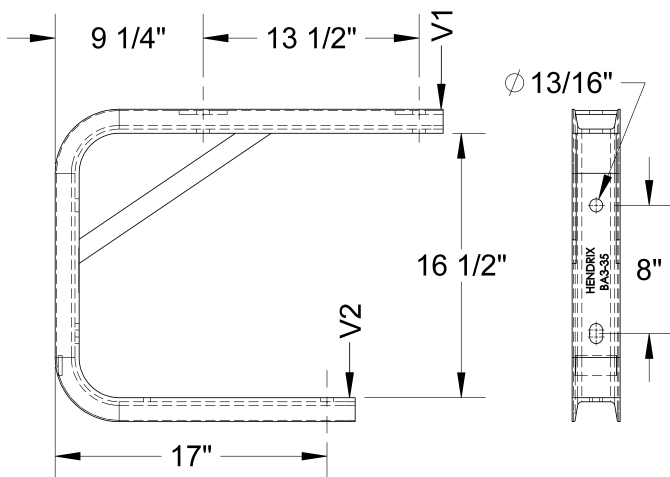
### Additional Information

- Typical messenger securing options:
  - Line Angle 0-6° - BM-24
  - Line Angle <60° - PSAC-01
  - Inside Line Angle <60° - MBXH-82
  - Line Angle >60° - Dead End with HDTCC

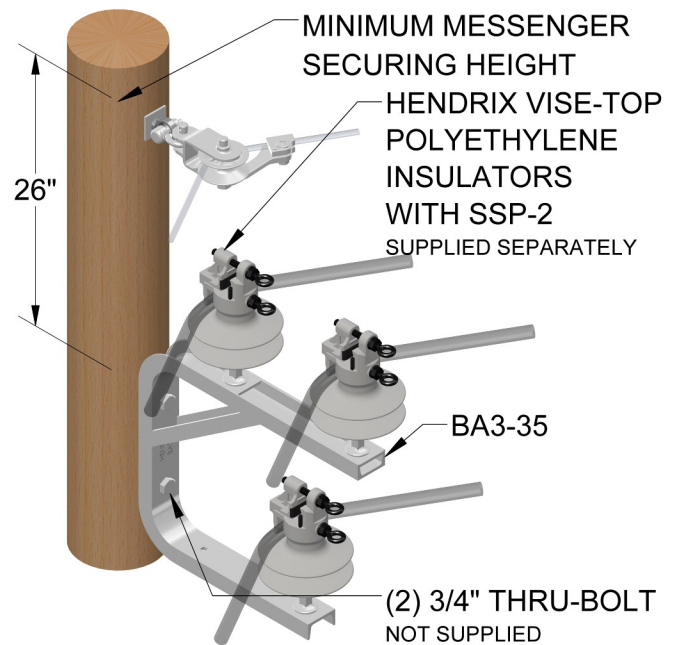
- 2IP plates may be required for certain line angle and cable size configurations. Refer to table below for specifications.

[Link to 3D Product Image](#)

### Dimensions



### Application



Catalog No	Maximum Capacity (lbs)	
	Vertical	
	V1	V2
BA3-35	1700	1000

kV Class	Line Angle	Conductor Size	2IP Insulator Plate
15	7° - 60°	#2 AWG-1431 kcmil	Not Required
	61° - 90°	#2 AWG-1431 kcmil	Required
25-46	7° - 45°	1/0 AWG-1431 kcmil	Not Required
	46° - 60°	1/0 AWG-266 kcmil	Not Required
	46° - 60°	336 kcmil-1431 kcmil	Required
	61° - 90°	1/0 AWG-1431 kcmil	Required

R07