



Description

Designed for 15kV distribution voltage, the BA3-15 is an angle pole bracket used in Hendrix Spacer Cable Systems. Mounted on a pole, the BA3-15 will support and separate the phase conductors in a triangular configuration. This bracket is formed from steel channel and hot dipped galvanized after fabrication.

Benefits

- ◆ Compact triangular configuration of the phase conductors
- ◆ Simple, compact alternative to crossarm angle construction
- ◆ 8" mounting hole spacing conforms to typical spacing used in pre-drilled poles
- ◆ Ground lug provision

Application

Use the BA3-15 bracket on tangent or angle poles in distribution systems rated up to and including 15kV. Mount to the pole with two (2) - 5/8" thru-bolts (not supplied by Hendrix). Messenger wires should be secured at least 24" above the bracket's top bolt. The bracket is applied along with Hendrix Vise-Top Polyethylene Insulators and Short Shank Insulator Pins for the conductors (supplied separately).

System Application

Bracket Type: Angle
Bracket Shape: "C"
Maximum System Voltage (kV): 15
Line Angle (degrees): 0-90

Dimensions

Overall Dimensions (in): 19-1/4 x 21-1/4 x 3

Other

Material: A-36 Carbon Steel
Finish: HDG
Weight (lbs): 17.00

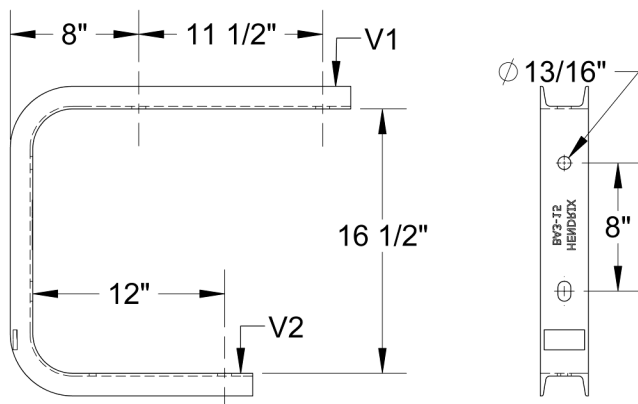
Additional Information

- Typical messenger securing options:
 Line Angle 0-6° - BM-14
 Line Angle <60° - PSAC-01
 Inside Line Angle <60° - MBXH-82
 Line Angle >60° - Dead End with HDTDC

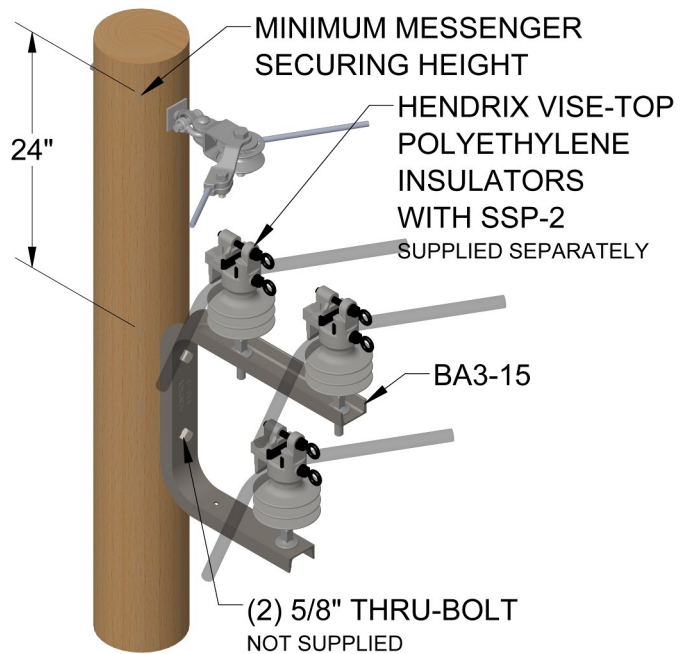
- 2IP plates may be required for certain line angle and cable size configurations. Refer to table below for specifications.

[Link to 3D Product Image](#)

Dimensions



Application



Catalog No	Maximum Capacity (lbs)	
	Vertical	
	V1	V2
BA3-15	950	1200

kV Class	Line Angle	Conductor Size	2IP Insulator Plate
15	7° - 60°	#2 AWG-1431 kcmil	Not Required
	61° - 90°	#2 AWG-1431 kcmil	Required