

Description

The BA1-PP is a pole cornering bracket used with Hendrix Spacer Cable Systems. The BA1-PP is designed for use in distribution systems rated up to and including 46kV. Mounted on a pole, the BA1-PP will dead end the phase conductors vertically on the pole. This bracket is formed from steel and hot dipped galvanized after fabrication.

Benefits

- ◆ Spacer Cable conductors can be dead ended directly to the pole
- ◆ Attaches to pole with one bolt
- ◆ Accepts Hendrix SSP-2 insulator pin for horizontally mounted pin insulators to support jumper wires

Application

Use the BA1-PP bracket to deadend conductors vertically on poles in distribution systems rated up to and including 46kV. Mount to the pole with one (1) - 3/4" thru-bolt (not supplied by Hendrix). For line angles 0-45°, the bracket should be used along with a Short Shank Insulator Pin, SSP-2, and Hendrix Vise-Top Polyethylene Insulators to secure the conductors away from the pole. For line angles 46-90°, an insulator is not required to train the cables.

BA1-PP

Technical Specifications

System Application

Bracket Type:	Vertical Deadend
Maximum System Voltage (kV):	46
Line Angle (degrees):	0-90

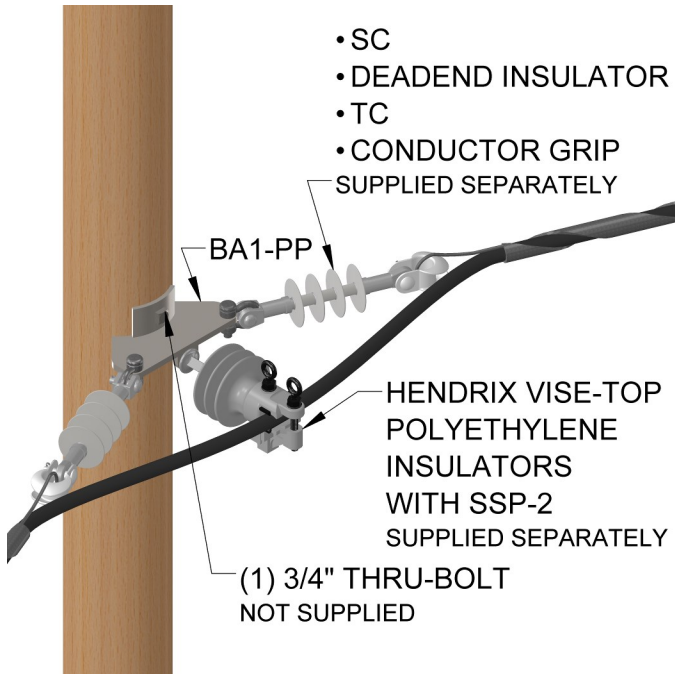
Dimensions

Overall Dimensions (in): 4-3/4 x 11 x 4-3/4

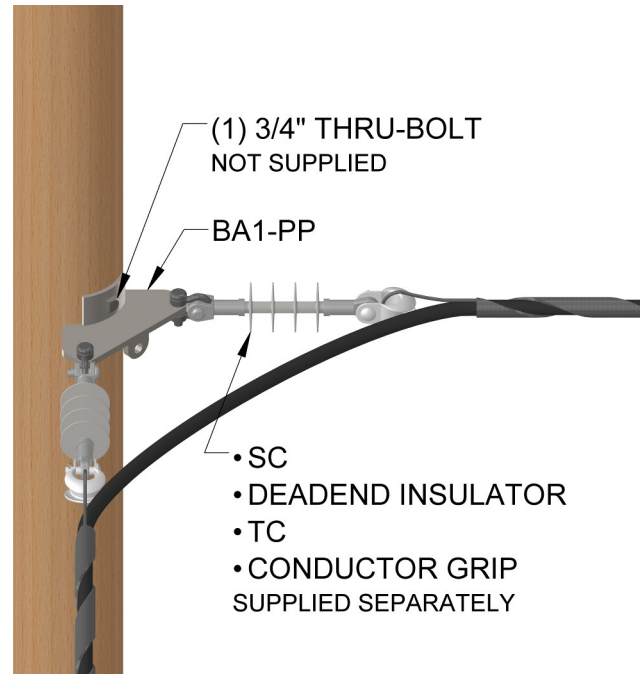
Other

Material:	A-36 Carbon Steel
Finish:	HDG
Weight (lbs):	7.00

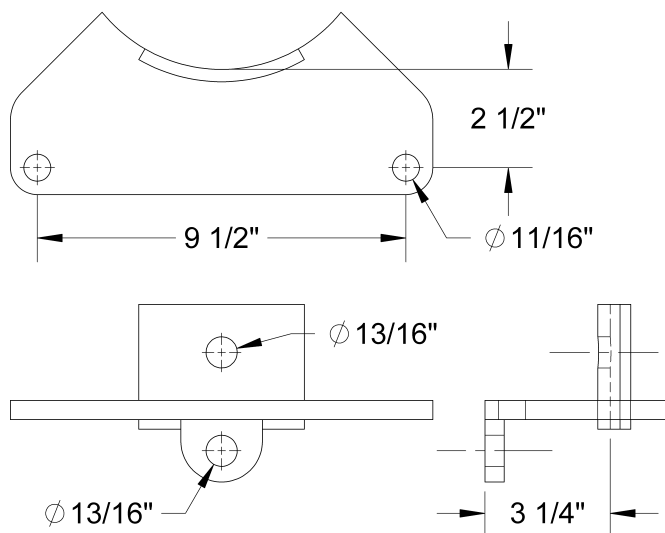
Application — Line Angles 0-45°



Application — Line Angles 46-90°



Dimensions



Additional Information

[3D Product Image Link](#)

R00