

# Line Guards

## LINEDUC-BRIDGE

LINEDUC-BRIDGE is an assembly of at least two protective lineduc guards connected by a bridge. It is intended to cover a long distance of bare conductor such as a full span length. The lineduc guards can easily be clipped onto the conductor and joined by the bridge in the field. The bridge design accommodates the sag angle of a full span. The LINEDUC-BRIDGE protects conductors from abrasion and contact by tree limbs and animals. It is produced using proprietary, track resistant, high density polyethylene.

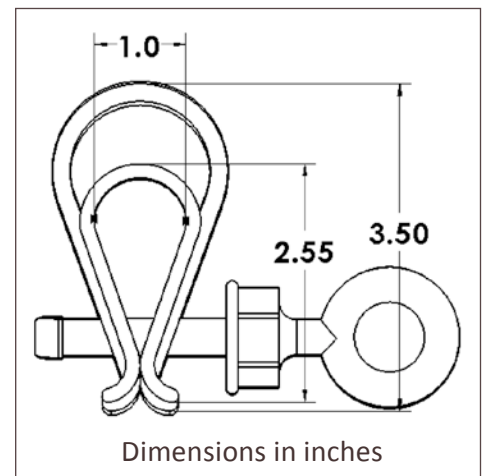
LINEDUC-BRIDGE is available in one standard size in black or gray color. The lineduc guard comes in standard 8 foot section can be cut at the job site if required. After the LINEDUC-BRIDGE is installed over the bare conductor, it can be anchored at the open ends with tie wire to prevent longitudinal movement along the conductor.

- Eliminates conductor abrasion and contact grounding
- Minimizes service interruptions and repair costs
- Reduces tree trimming
- Durable, economical and easy to install
- Made in USA



## Product Data

CHARACTERISTIC	LINEDUC-BRIDGE
<b>DIMENSIONS</b>	
Typical application (kV)	38
Flashover, 60 Hz Dry (kV)	45
Flashover, 60 Hz Wet (kV)	20
Length (ft)	16
<b>OTHER</b>	
Min.-Max. Conductor Diameter (in)	.187" – 1.0"
One Assembly Weight (lbs)	5.8
Max Continuous Conductor Temp (°C)	120



### CAUTION:

LINEDUC-BRIDGE is not a protective safety covering for energized work and not intended for personal protection