



HPI-TLP-15V

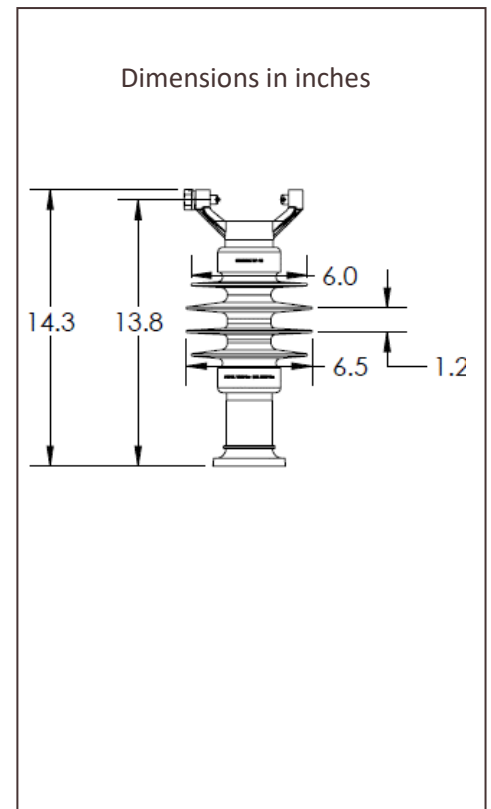
Hendrix “Trunnion” Line Post Insulators are molded from a proprietary blend of gray, track and UV resistant, high density polyethylene. They are more durable and reliable than traditional porcelain insulators.

The HPI-TLP-15V with steel base and center tap ¼” thread size accepts all industry standard “Trunnion” clamps. It meets the electrical and mechanical requirements of ANSI C29.7 and C29.18. It is a direct replacement for high-voltage porcelain or composite insulators.

- Lighter than porcelain
- Designed for use in vertical configurations
- Resistant to impact damage, breakage and vandalism
- Molded in USA

PRODUCT DATA

Characteristic	ANSI C29.7 57-11	ANSI C29.18 51-12	HPI-TLP-15V
DIMENSIONS			
Leakage distance (in)	14	14	21.5
Dry-arc distance (in)	6.5	6.5	9.2
Center-hole diameter (in)	0.75	0.75	0.75
MECHANICAL VALUES			
Specified Cantilever load (lbs)	2800	2400	2800
Max Design Cantilever Load (lbs)	1400 ^[1]	1200	1400 ^[2]
Specified tensile load (lbs)	N/A	5000	>7000
ELECTRICAL VALUES			
Typical application (kV)	25	25	25
Flashover, 60 Hz Dry (kV)	70	70	118
Flashover, 60 Hz Wet (kV)	50	50	84
Impulse Flashover – Positive (kV)	120	120	189
Impulse withstand – Positive (kV)	-	-	173
Impulse Flashover – Negative (kV)	-	-	- 260
Max RIV (µV) tested at 15KV	100	100	7.2
OTHER			
Min.-Max. Conductor Diameter (in)	-	-	N/A
Part Weight (lbs)	~ 15	-	10.65



NOTES: [1] Wet-process porcelain insulators are proof tested at 40% of Rated Cantilever Strength
 [2] MDCL is specified by the manufacturer
 [3] Patent Pending