



## HPI-35VTM

Hendrix Vise Top pin insulators incorporate a clamping mechanism in the insulator to provide quick and easy conductor installation without the need for additional tie products. When used with the VTST-1 Stringing Tool, conductors can be installed without separate stringing blocks, significantly reducing installation costs.

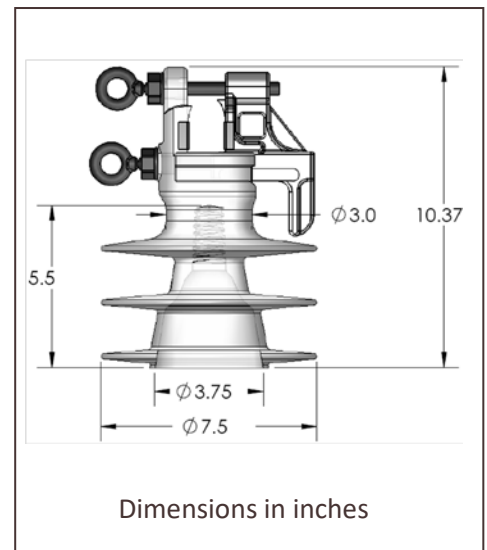
The HPI-35VTM is designed with aluminum clamping inserts for use with bare aluminum and aluminum-alloy conductors. It has a standard ANSI 1-3/8" thread size and is a direct replacement for medium-voltage pin insulators.

- Exceeds ANSI electrical and mechanical requirements
- Breakaway bolt rings ensure proper conductor clamping
- Resistant to impact damage, breakage and vandalism
- Made from UV stabilized polyethylene
- Made in USA



## PRODUCT DATA

Characteristic	ANSI C29.5 Class 55-7	HPI-35VTM
<b>DIMENSIONS</b>		
Leakage distance (in)	15	22.4
Dry-arc distance (in)	8	11.1
<sup>[1]</sup> Pin-hole diameter (in) (01)/(02)	1-3/8	(1) / (1-3/8)
<b>MECHANICAL VALUES</b>		
<sup>[2]</sup> Cantilever strength (lbs)	3000	>3000
<b><sup>[3]</sup>ELECTRICAL VALUES</b>		
Typical application (kV)		35
Flashover voltage, 60 Hz Dry (kV)	100	112
Flashover voltage, 60 Hz Wet (kV)	50	71
Impulse Flashover – Positive (kV)	150	172
Impulse Flashover – Negative (kV)	170	231
Low frequency Puncture (kV)	135	(250) / (217)
<b>OTHER</b>		
Min.-Max. Conductor Diameter (in)		.187 - 1.75
Part Weight (lbs)		3.2
Max Continuous Conductor Temp (°C)		120



Notes: [1] To specify pin diameter, add the suffix -01 for 1" threads and -02 for 1 3/8" threads  
(Not available for HPI-15VTP)

[2] Cantilever strength refers to side neck loading

[3] Values from test samples with 1-3/8" pin