



## HPI-35J-01

Hendrix Tie Top Insulators are molded from a proprietary blend of gray, track and UV resistant, high density polyethylene. They are more durable and reliable than traditional wet-process porcelain insulators. They are also lighter, safer and easier to handle.

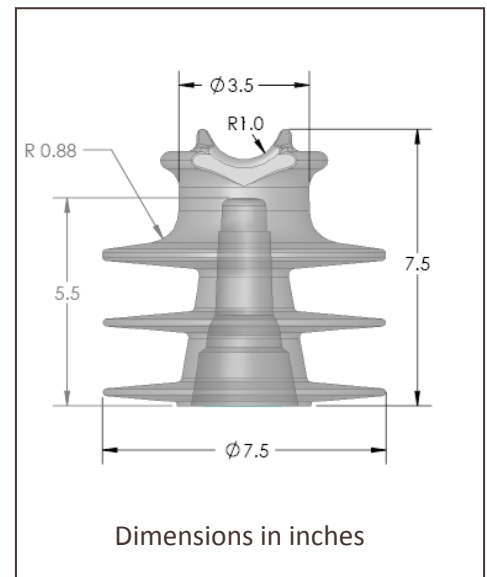
The HPI-35J-01 is designed with standard ANSI neck and thread size. It is a direct replacement for medium-voltage porcelain J-neck insulators and recommended for all conductor types, bare or covered.



- Exceeds ANSI electrical and mechanical requirements
- Resistant to impact damage, breakage and vandalism
- Designed for use with all Tie Products
- Made in USA

## PRODUCT DATA

Characteristic	ANSI C29.5 Class 55-6	HPI-35J-01
<b>DIMENSIONS</b>		
Neck designation	J	J
Leakage distance (in)	15	20
Dry-arc distance (in)	8	9.6
<sup>[1]</sup> Pin-hole diameter (in)	1	1
<b>MECHANICAL VALUES</b>		
Cantilever strength (lbs)	3000	>3000
<b>ELECTRICAL VALUES</b>		
Typical application (kV)		35
Flashover voltage, 60 Hz Dry (kV)	100	123
Flashover voltage, 60 Hz Wet (kV)	50	73
Impulse Flashover – Positive (kV)	150	177
Impulse Flashover – Negative (kV)	170	243
Low frequency Puncture (kV)	135	211
<b>OTHER</b>		
Max. Conductor Diameter (in)		1.75
Part Weight (lbs)		3.0
<sup>[2]</sup> Max Continuous Conductor Temp (°C)		120



**Notes:**

[1] Other pin-hole diameters and thread configurations are available

[2] High temperature (200°C) model is available