



HPI-25VTP

Hendrix Vise Top pin insulators incorporate a clamping mechanism in the insulator to provide quick and easy conductor installation without the need for additional tie products. When used with the VTST-1 Stringing Tool, conductors can be installed without separate stringing blocks, significantly reducing installation costs.

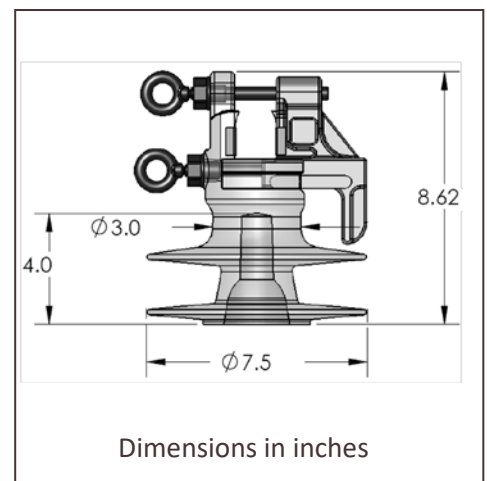
The HPI-25VTP is designed with glass-filled nylon clamping inserts suitable for use with covered and bare conductors. It has a standard ANSI 1" thread size and is a direct replacement for medium-voltage pin insulators.

- Exceeds ANSI electrical and mechanical requirements
- Breakaway bolt rings ensure proper conductor clamping
- Resistant to impact damage, breakage and vandalism
- Made from UV stabilized polyethylene
- Made in USA



PRODUCT DATA

Characteristic	ANSI C29.5 Class 55-5	HPI-25VTP
DIMENSIONS		
Leakage distance (in)	12	15.8
Dry-arc distance (in)	6.25	9.3
^[1] Pin-hole diameter (in)	1	(1) / (1-3/8)
MECHANICAL VALUES		
^[2] Cantilever strength (lbs)	3000	>3000
^[3]ELECTRICAL VALUES		
Typical application (kV)		25
Flashover voltage, 60 Hz Dry (kV)	80	97
Flashover voltage, 60 Hz Wet (kV)	45	53
Impulse Flashover – Positive (kV)	130	153
Impulse Flashover – Negative (kV)	150	190
Low frequency Puncture (kV)	115	220
OTHER		
Min.-Max. Conductor Diameter (in)		.187 - 1.75
Part Weight (lbs)		2.6
Max Continuous Conductor Temp (°C)		120



Notes: [1] To specify pin diameter, add the suffix -01 for 1" threads and -02 for 1 3/8" threads (Not available for HPI-15VTP)

[2] Cantilever strength refers to side neck loading

[3] Values from test samples with 1-3/8" pin