

Tie Top Insulator Cover



Key Features

- Installs with live-line tools
- IEEE 1656 compliant
- Resistant to impact damage and vandalism
- Wind resistant to > 60mph
- Fire Retardant (UL-94V0) and UV stabilized
- Made in USA

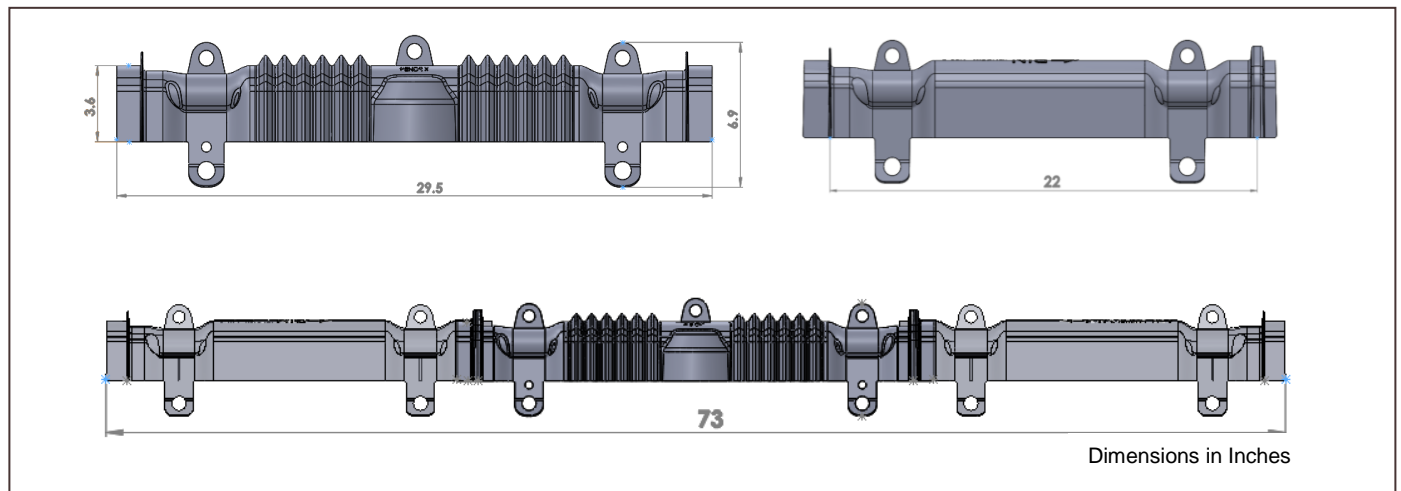
HRS-TT-KIT

Hendrix Raptor Shields are designed to protect wildlife from live line contact, reduce power outages, and assist in the implementation of your Avian Protection Plan.

The HRS-TT-KIT is designed for use with porcelain and polymer Tie Top insulators to provide complete coverage of the conductor-insulator interface. The central cover portion is sized to accept Tie Top insulators for systems up to 35kV. For added coverage, extension arms can overlap the central cover for extended electrical performance. The cover and arms are made from a UV stabilized, fire retardant (UL-94V0) polymer compound to provide long service life under harsh conditions.

PRODUCT DATA

Characteristic	HRS-TT-KIT
Description	Conductor/Insulator cover kit containing one (1) center piece, two (2) extension arms and six (6) connector pins
Application	Fits Tie Top Pin insulators; ANSI Class 55-3 through 55-7, and ANSI Class 56-1 Fits conductor sizes # 6 AWG to 954 kcmil with regular or preformed ties.
Weight	2.9 lbs.
Length	73 in. (assembled); 29 in. central piece; extension arms are 22 in. each



CAUTION: Raptor Shields are not intended as a safety covering for personnel protection