



HPI-CLP-20

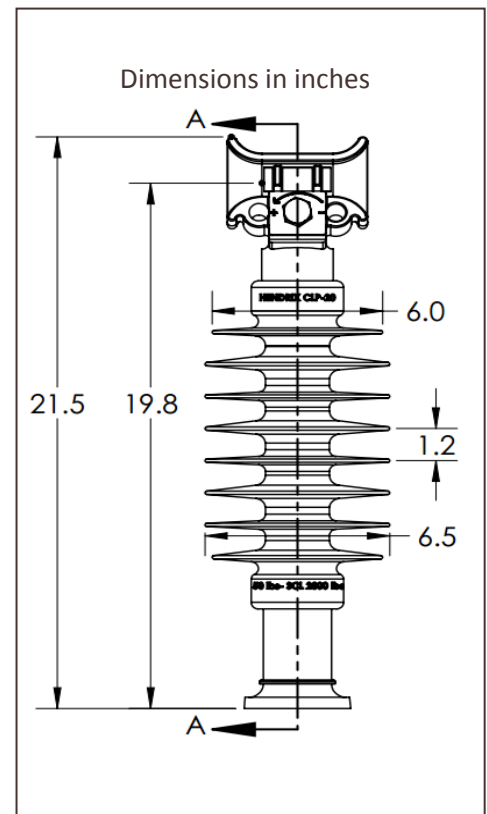
Hendrix Clamp Line Post Insulators are molded from a proprietary blend of gray, track and UV resistant, high density polyethylene. They are more durable and reliable than traditional porcelain insulators.

The HPI-CLP-20 is a universal clamp top design with a steel base and center tap 3/4" thread size. It meets the electrical and mechanical requirements of ANSI C29.7 and C29.18. It is a direct replacement for high-voltage porcelain or composite insulators.

- Lighter than porcelain
- Designed for use in vertical and horizontal configurations
- Resistant to impact damage, breakage and vandalism
- Molded in USA

PRODUCT DATA

Characteristic	ANSI C29.7 57-13 & 23	ANSI C29.18 51-14 & 24	HPI-CLP-20
DIMENSIONS			
Leakage distance (in)	29	29	41.0
Dry-arc distance (in)	12.5	12.5	14.1
Center-hole diameter (in)	0.75	0.75	0.75
MECHANICAL VALUES			
Specified Cantilever load (lbs)	2800	2240	>2400
Max Design Cantilever Load (lbs)	1120 ^[1]	1235 ^[2]	1250
Specified tensile load (lbs)	N/A	5000	>7000
ELECTRICAL VALUES			
Typical application (kV)	46	46	46
Flashover, 60 Hz Dry (kV)	125	125	171
Flashover, 60 Hz Wet (kV)	95	95	131
Impulse Flashover – Positive (kV)	120	120	265
Impulse Withstand – Positive (KV)	-	-	242
Impulse Flashover – Negative (kV)	-	-	- 317
Max RIV (µV) tested at 30KV	200	200	TBD
OTHER			
Max. Conductor Diameter (in)	-	-	1.3
Part Weight (lbs)	~ 26	-	14



NOTES: [1] Wet-process porcelain insulators are proof tested at 40% of Rated Cantilever Strength
 [2] MDCL for non-ceramic is specified by the manufacturer, typically 1235 to 1350 lbs (5.5 or 6 kN)