



## HPI-CLP-17

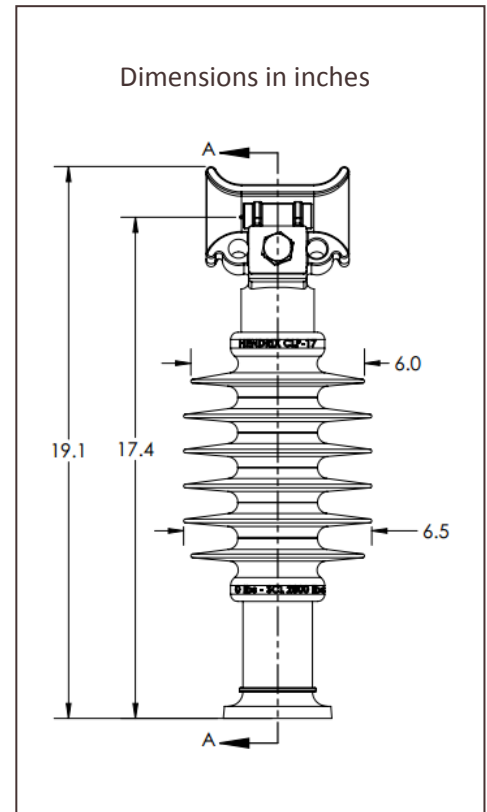
Hendrix Clamp Line Post Insulators are molded from a proprietary blend of gray, track and UV resistant, high density polyethylene. They are more durable and reliable than traditional porcelain insulators.

The HPI-CLP-17 is a universal clamp top design with a steel base and center tap  $\frac{3}{4}$ " thread size. It meets the electrical and mechanical requirements of ANSI C29.7 and C29.18. It is a direct replacement for high-voltage porcelain or composite insulators.

- Lighter than porcelain
- Designed for use in vertical and horizontal configurations
- Resistant to impact damage, breakage and vandalism
- Molded in USA

## PRODUCT DATA

Characteristic	ANSI C29.7 57-12 & 22	ANSI C29.18 51-13 & 23	HPI-CLP-17
<b>DIMENSIONS</b>			
Leakage distance (in)	22	22	31.2
Dry-arc distance (in)	9.5	9.5	11.6
Center-hole diameter (in)	0.75	0.75	0.75
<b>MECHANICAL VALUES</b>			
Specified Cantilever load (lbs)	2800	2400	>2400
Max Design Cantilever Load (lbs)	1120 <sup>[1]</sup>	1235 <sup>[2]</sup>	1250
Specified tensile load (lbs)	N/A	5000	>7000
<b>ELECTRICAL VALUES</b>			
Typical application (kV)	35	35	35
Flashover, 60 Hz Dry (kV)	100	100	146
Flashover, 60 Hz Wet (kV)	70	70	110
Impulse Flashover – Positive (kV)	120	120	222
Impulse Withstand – Positive (kV)	-	-	204
Impulse Flashover – Negative (kV)	-	-	-300
Max RIV ( $\mu$ V) tested at 22KV	100	100	TBD
<b>OTHER</b>			
Max. Conductor Diameter (in)	-	-	1.3
Part Weight (lbs)	~22	-	12.7



NOTES: [1] Wet-process porcelain insulators are proof tested at 40% of Rated Cantilever Strength  
 [2] MDCL for non-ceramic is specified by the manufacturer, typically 1235 to 1350 lbs (5.5 or 6 kN)