



## HPI-CLP-15

Hendrix Clamp Line Post Insulators are molded from a proprietary blend of gray, track and UV resistant, high density polyethylene. They are more durable and reliable than traditional porcelain insulators.

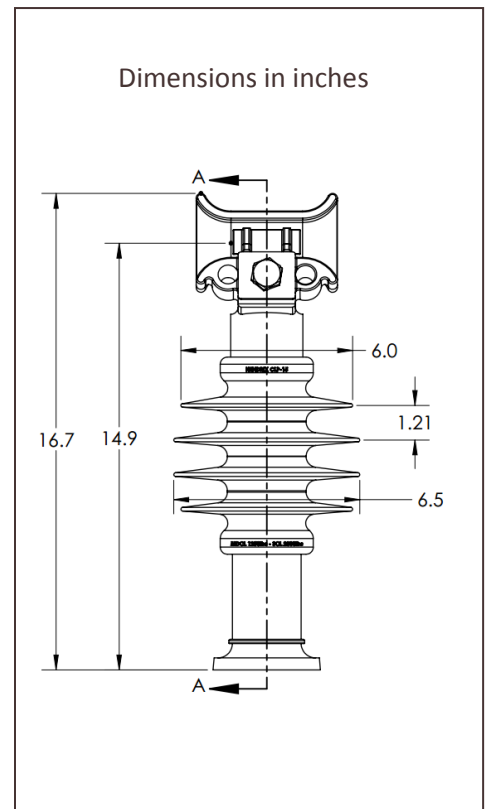
The HPI-CLP-15 is a universal clamp top design with a steel base and center tap 3/4" thread size. It meets the electrical and mechanical requirements of ANSI C29.7 and C29.18. It is a direct replacement for high-voltage porcelain or composite insulators.



- Lighter than porcelain
- Designed for use in vertical and horizontal configurations
- Resistant to impact damage, breakage and vandalism
- Molded in USA

## PRODUCT DATA

Characteristic	ANSI C29.7 57-11 & 21	ANSI C29.18 51-12 & 22	HPI-CLP-15
<b>DIMENSIONS</b>			
Leakage distance (in)	14	14	21.5
Dry-arc distance (in)	6.5	6.5	9.2
Center-hole diameter (in)	0.75	0.75	0.75
<b>MECHANICAL VALUES</b>			
Specified Cantilever load (lbs)	2800	2400	>2400
Max Design Cantilever Load (lbs)	1120 <sup>[1]</sup>	1235 <sup>[2]</sup>	1250
Specified tensile load (lbs)	N/A	5000	>7000
<b>ELECTRICAL VALUES</b>			
Typical application (kV)	25	25	25
Flashover, 60 Hz Dry (kV)	70	70	118
Flashover, 60 Hz Wet (kV)	50	50	84
Impulse Flashover – Positive (kV)	120	120	189
Impulse withstand – Positive (kV)	-	-	173
Impulse Flashover – Negative (kV)	-	-	- 260
Max RIV (µV) tested at 15KV	100	100	TBD
<b>OTHER</b>			
Max. Conductor Diameter (in)	-	-	1.3
Part Weight (lbs)	~ 15	-	11.4



NOTES: [1] Wet-process porcelain insulators are proof tested at 40% of Rated Cantilever Strength  
 [2] MDCL for non-ceramic is specified by the manufacturer, typically 1235 to 1350 lbs (5.5 or 6 kN)