



HPI-35VTB-01

Hendrix Vise Top pin insulators incorporate a clamping mechanism in the insulator to provide quick and easy conductor installation without the need for additional tie products. When used with the VTST-1 Stringing Tool, conductors can be installed without separate stringing blocks, significantly reducing installation costs.

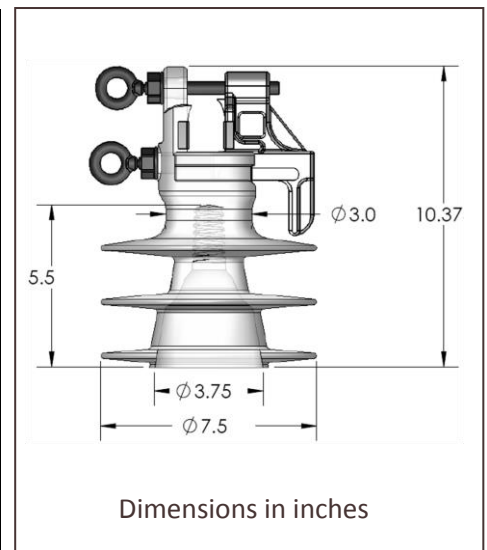
The HPI-35VTB-01 is designed with brass clamping inserts for use with bare copper conductors. It has a standard ANSI 1" thread size and is a direct replacement for medium-voltage pin insulators.



- Exceeds ANSI electrical and mechanical requirements
- Breakaway bolt rings ensure proper conductor clamping
- Resistant to impact damage, breakage and vandalism
- Made from UV stabilized polyethylene
- Made in USA

PRODUCT DATA

Characteristic	ANSI C29.5 Class 55-6	HPI-35VTB-01
DIMENSIONS		
Leakage distance (in)	15	22.3
Dry-arc distance (in)	8	11.1
^[1] Pin-hole diameter (in)	1	1
MECHANICAL VALUES		
^[2] Cantilever strength (lbs)	3000	>3000
^[3]ELECTRICAL VALUES		
Typical application (kV)		35
Flashover voltage, 60 Hz Dry (kV)	100	112
Flashover voltage, 60 Hz Wet (kV)	50	71
Impulse Flashover – Positive (kV)	150	172
Impulse Flashover – Negative (kV)	170	231
Low frequency Puncture (kV)	135	250
OTHER		
Max. Conductor Diameter (in)		1.75
Part Weight (lbs)		3.2
Max Continuous Conductor Temp (°C)		120



Notes: [1] Other pin-hole diameters and thread configurations are available
 [2] Cantilever strength refers to side neck loading
 [3] Values from test samples with 1-3/8" pin