



## HPI-LP-11C

Hendrix Line Post Insulators are molded from a proprietary blend of gray, track and UV resistant, high density polyethylene. They are more durable and reliable than traditional porcelain insulators. They are also lighter, safer and easier to handle.

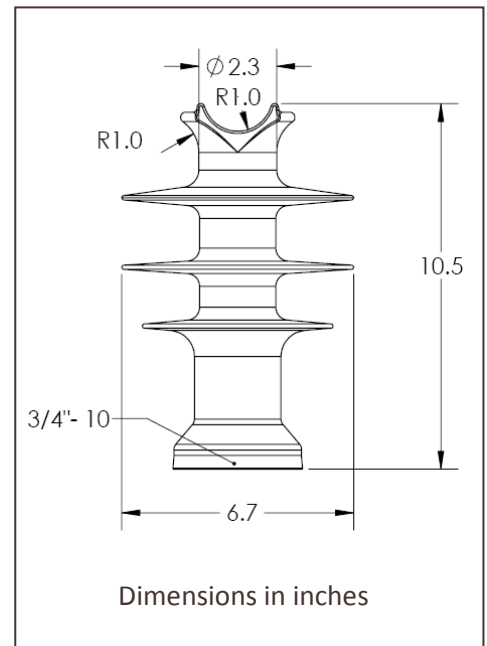
The HPI-LP-11C is the lightest weight insulator in its category. It is a tie-top design with a standard ANSI "C" neck and center tap 3/4" thread size. It meets the electrical and mechanical performance requirements for RUS 24.9/14.4 kV systems and ANSI C29.18 Class 51-2C. It is a direct replacement for high-voltage porcelain or composite insulators.



- Easy handling – Lighter than porcelain and composite designs
- Designed for use with all Tie Products and conductor types
- Resistant to impact damage, breakage and vandalism
- RUS Accepted
- Assembled in USA

## PRODUCT DATA

Characteristic	RUS 24.9/14.4	ANSI C29.18 51-2C	HPI-LP-11C
<b>DIMENSIONS</b>			
Neck Designation	C	C	C
Leakage Distance (in)	15	14	18.7
Dry-arc Distance (in)		6.5	10.1
Center-hole Diameter (in)	0.75	0.75	0.75
<b>MECHANICAL VALUES</b>			
Specified Cantilever Load (lbs), min.	1875	2400	2400
Maximum Design Cantilever Load (lbs)	750 <sup>[1]</sup>	1235 <sup>[2]</sup>	1250
Specified Tensile Load (lbs), min.	N.A.	2000	2000
<b>ELECTRICAL VALUES</b>			
Typical application (kV)	24.9		25
Flashover, 60 Hz Dry (kV)	95	70	107
Flashover, 60 Hz Wet (kV)	65	50	77
Impulse Flashover – Positive (kV)		120	168
Impulse Flashover – Negative (kV)			-300
<b>OTHER</b>			
Max. Conductor Diameter (in)			1.75
Part Weight (lbs)	> 8	> 7	3.7
Max. Continuous Conductor Temp (°C)			120



NOTES: [1] Wet-process porcelain insulators are proof tested at 40% of Rated Cantilever Strength  
 [2] MDCL for non-ceramic is specified by the manufacturer, typically 1235 to 1350 lbs (5.5 – 6 kN)  
 [3] US Patent Applied For, Application No. 14/936,147