



HPI-55-5-01

Hendrix Tie Top Insulators are molded from a proprietary blend of gray, track and UV resistant, high density polyethylene. They are more durable and reliable than traditional wet-process porcelain insulators. They are also lighter, safer and easier to handle.

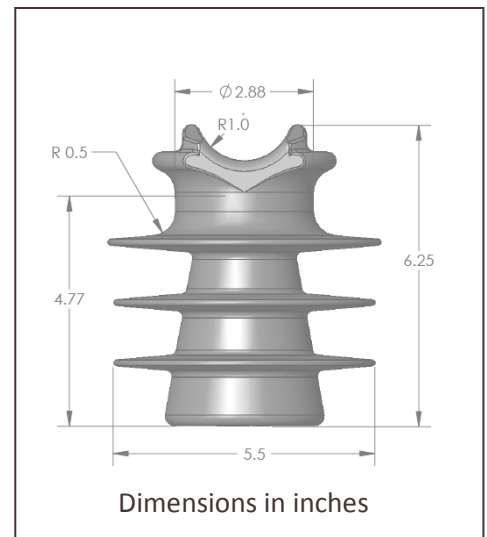
The HPI-55-5-01 is designed with standard ANSI neck and thread size. It is a direct replacement for medium-voltage porcelain F-neck insulators and recommended for all conductor types, bare or covered.



- Exceeds ANSI electrical and mechanical requirements
- Resistant to impact damage, breakage and vandalism
- Designed for use with all Tie Products
- Made in USA

PRODUCT DATA

Characteristic	ANSI C29.5 Class 55-5	HPI-55-5-01
DIMENSIONS		
Neck designation	F	F
Leakage distance (in)	12	14.3
Dry-arc distance (in)	6.25	7
^[1] Pin-hole diameter (in)	1	1
MECHANICAL VALUES		
Cantilever strength (lbs)	3000	>3000
ELECTRICAL VALUES		
Typical application (kV)		25
Flashover voltage, 60 Hz Dry (kV)	80	86
Flashover voltage, 60 Hz Wet (kV)	45	58
Impulse Flashover – Positive (kV)	130	137
Impulse Flashover – Negative (kV)	150	197
Low frequency Puncture (kV)	115	215
OTHER		
Max. Conductor Diameter (in)		1.75
Part Weight (lbs)		1.4
^[2] Max Continuous Conductor Temp (°C)		120



Notes:

- [1] Other pin-hole diameters and thread configurations are available
- [2] High temperature (200°C) model is available