



HPI-55-5-02

Hendrix Tie Top Insulators are molded from a proprietary blend of gray, track and UV resistant, high density polyethylene. They are more durable and reliable than traditional wet-process porcelain insulators. They are also lighter, safer and easier to handle.

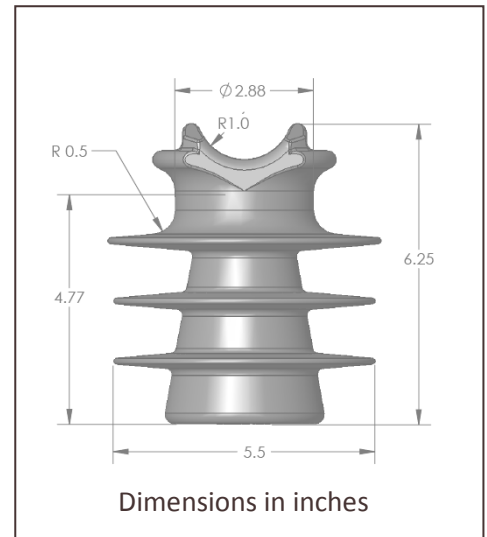
The HPI-55-5-02 is designed with standard ANSI neck and 1-3/8" thread size. It is a direct replacement for medium-voltage porcelain F-neck insulators and recommended for all conductor types, bare or covered.



- Exceeds ANSI electrical and mechanical requirements
- Resistant to impact damage, breakage and vandalism
- Designed for use with all Tie Products
- Made in USA

PRODUCT DATA

| Characteristic | ANSI C29.5 Class 55-5 | HPI-55-5-02 |
|---|--------------------------|-------------|
| DIMENSIONS | | |
| Neck designation | F | F |
| Leakage distance (in) | 12 | 14.4 |
| Dry-arc distance (in) | 6.25 | 7 |
| ^[1] Pin-hole diameter (in) | 1 | 1-3/8 |
| MECHANICAL VALUES | | |
| Cantilever strength (lbs) | 3000 | >3000 |
| ^[2]ELECTRICAL VALUES | | |
| Typical application (kV) | | 25 |
| Flashover voltage, 60 Hz Dry (kV) | 80 | 86 |
| Flashover voltage, 60 Hz Wet (kV) | 45 | 58 |
| Impulse Flashover – Positive (kV) | 130 | 137 |
| Impulse Flashover – Negative (kV) | 150 | 197 |
| Low frequency Puncture (kV) | 115 | 215 |
| OTHER | | |
| Max. Conductor Diameter (in) | | 1.75 |
| Part Weight (lbs) | | 1.3 |
| ^[3] Max Continuous Conductor Temp (°C) | | 120 |



Notes:

- [1] Other pin-hole diameters and thread configurations are available
- [2] Values from test samples with 1" pin
- [3] High temperature (200°C) model is available