



## HPI-25J-02

Hendrix Tie Top Insulators are molded from a proprietary blend of gray, track and UV resistant, high density polyethylene. They are more durable and reliable than traditional wet-process porcelain insulators. They are also lighter, safer and easier to handle.

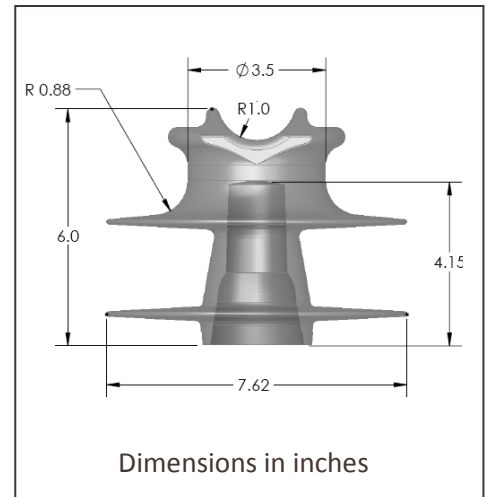
The HPI-25J-02 is designed with standard ANSI neck and thread size. It is a direct replacement for medium and high-voltage porcelain J-neck insulators and recommended for all conductor types, bare or covered.



- Exceeds ANSI electrical and mechanical requirements
- Resistant to impact damage, breakage and vandalism
- Designed for use with all Tie Products
- RUS Accepted
- Made in USA

## PRODUCT DATA

Characteristic	ANSI C29.6 Class 56-1	HPI-25J-02
<b>DIMENSIONS</b>		
Neck designation	J	J
Leakage distance (in)	13	14.8
Dry-arc distance (in)	7	8.3
<sup>[1]</sup> Pin-hole diameter (in)	1-3/8	1-3/8
<b>MECHANICAL VALUES</b>		
Cantilever strength (lbs)	2500	>3000
<b>ELECTRICAL VALUES</b>		
Typical application (kV)		25
Flashover voltage, 60 Hz Dry (kV)	95	102
Flashover voltage, 60 Hz Wet (kV)	60	75
Impulse Flashover – Positive (kV)	150	170
Impulse Flashover – Negative (kV)	190	200
Low frequency Puncture (kV)	130	227
<b>OTHER</b>		
Max. Conductor Diameter (in)		1.75
Part Weight (lbs)		1.8
<sup>[2]</sup> Max Continuous Conductor Temp (°C)		120



**Notes:**

[1] Other pin-hole diameters and thread configurations are available

[2] High temperature (200°C) model is available